

**Casam - control modules 230 volt**

The wireless control unit and Interfaces for LED and halogen Drivers 1-10 volt, or Dali Interfaces and mounted Switches on site turn light control into child's Play. The Casam control unit ist switched on between the light Switch and the light. The control unit also gives you the Option of switching on or dimming your lights via Smartphone, of saving lighting Scenarios or changing their Color. The System automatically connects to Bluetooth. The range inside enclosed buildings is approximately 20 m and extends from lamp to lamp (mesh Network).

- Switching capacity Universal for LED: max. 50 W, 0.64 A, 230 V
- Switching capacity Universal for halogen: 150 W, 0.64 A, 230 V
- Activation for 1-10 V: 50 W
- Switching capacity for Dali: 50 W
- Primary/Secondary: screw-type terminals 2x 1.5 mm<sup>2</sup>
- Can be switched and dimmed by Switch (on site), Smartphone, Casambi\* App.
- Measures (lxwxh): 62 mm x 40 mm x 22 mm

- i** • Dali Interface for proprietary Systems only.

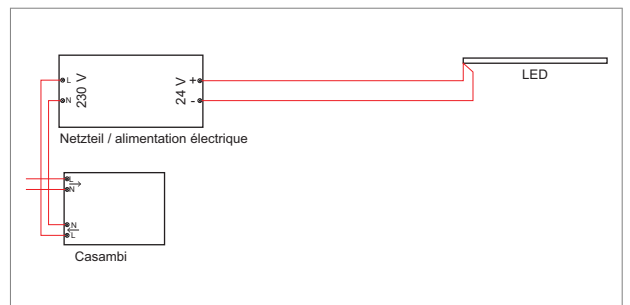
- !** Raccordement par un monteur électricien.
  - The Dali Interface is not compatible with existing Dali Networks.



**Casam - Modul Universal 230 volt**

- Switching capacity for LED: 50 watt, 0.65 ams, 230 volt maximum
- Switching capacity for halogen: 150 watts, 0.65 amps, 230 volt
- Can be switched and dimmed by Switch (on site), Smartphone, Casambi\* App

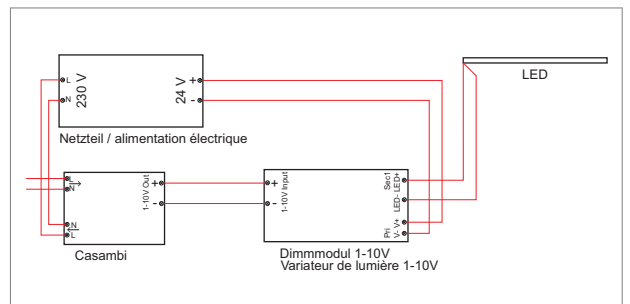
	finish	watt	finish
76.90100.11	white	50 W / 150 W	clamp connection



**Casam - Module for 1-10 volt DC**

- To activate 1-10 volts DC, e.g. LED Drivers "max. 50 watts"
- Switching capacity: 100 watts, 0.65 amps, 230 Volt maximum

	finish	watt	finish
76.90102.11	white	100 W	lamp connection

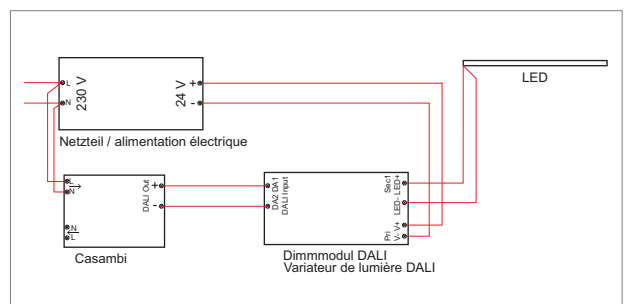


**Casambi - Module for Dali**

- To activate for Dali (max. 50 watts)
- Switching capacity: 100 watts, 0.65 amps, 230 Volt maximum

	finish	watt	finish
76.90112.11	white	100 W	lamp connection

- i** The Dali interface can only be used in enclosed systems.



- !** The Dali interface is not compatible with previously existing Network.