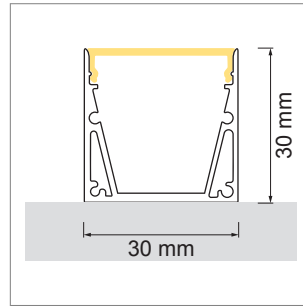


Designo Aluminum profile

- Surface mounted profile
- for tailor-made object and room illumination
- online configurator

	description	finish	width	height
71.20042.50	assembled	aluminum	30 mm	30 mm

i Order LED-Stripes unit separately (page A-1.15 - A-1.18).

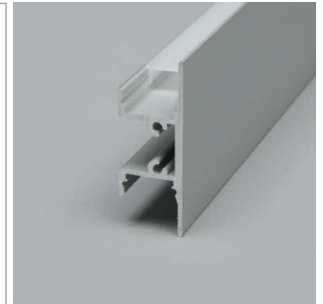
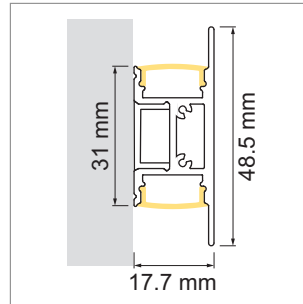


UP Down - Aluminum profile

- for tailor-made object and room illumination

	description	finish	length
71.20019.50	assembled	aluminum	
76.50108.50	Profile	aluminum	3000 mm
76.50109.00	light diffuser	opal	3000 mm
76.50110.50	end cap	aluminum	
76.50149.00	Mounting clip	transparent	

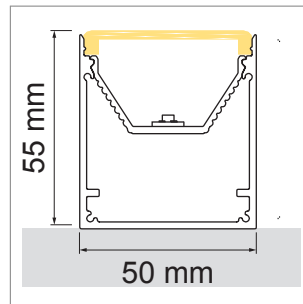
i Order LED-Stripes unit separately (page A-1.15 - A-1.18).



System-Channel - Aluminum profile

- for tailor-made object and room illumination

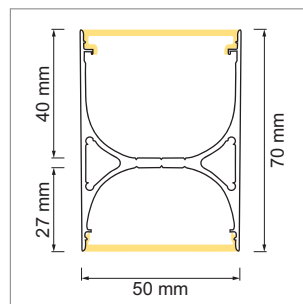
	description	finish
71.20070.50	assembled	aluminum



Light-Channel Aluminum profile

- For up or down lighting
- for tailor-made object and room illumination

	description	finish	height
71.20043.50	assembled	aluminum	70 mm



i • Download the PROJEKTER as PDF file.