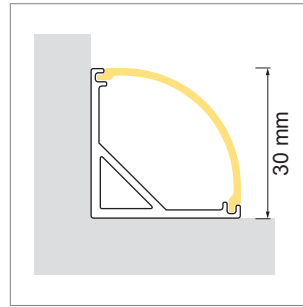


Angolo - Aluminum profile

- Online-Konfigurator

	description	finish	length	type
71.20018.50	assembled	aluminum		
76.50091.50	Profile	aluminum	3000 mm	
76.50093.00	light diffuser	opal	3000 mm	round
76.50095.39	end cap	bright grey		round
76.50096.00	Mounting clip	transparent		

i Order LED-Stripes unit separately (page A-1.15 - A-1.18).

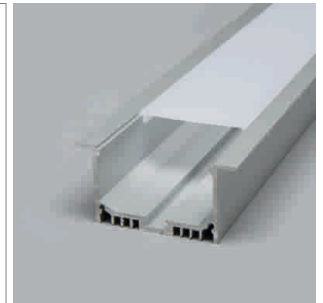
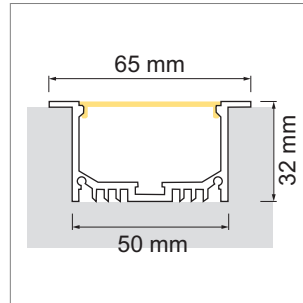


Lighting EB01 - Aluminum profile

- for tailor-made object and room illumination
- Online-Konfigurator

	description	finish	length
71.20068.50	assembled	aluminum	
76.50097.50	Profile	aluminum	3000 mm
76.50098.00	light diffuser	opal	3000 mm
76.50099.50	end cap	aluminum	

i Order LED-Stripes unit separately (page A-1.15 - A-1.18).

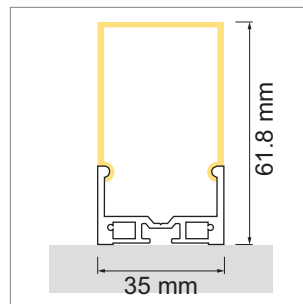


Lighting AB11 - Aluminum profile

- for tailor-made dobject and room illumination
- Online-Konfigurator

	description	finish	height
71.20069.50	assembled	aluminum	
76.50100.50	Profile	aluminum	3000 mm
76.50101.00	light diffuser	opal	3000 mm
76.50102.50	end cap	aluminum	

i Order LED-Stripes unit separately (page A-1.15 - A-1.18).



i • Download the PROJEKTER as PDF file.