

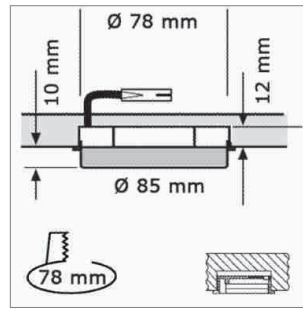
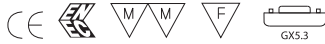
# LED Möbelbeleuchtung

## MFL redess, MFL Fixture Kit

### MFL - Half recess light fixture

- Screwed mounting

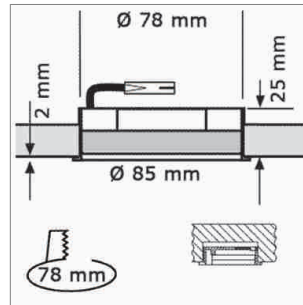
	finish
76.42320.01	gold
76.42320.06	mat nickel
76.42320.11	white
76.42320.39	alu colour



### - MFL Full recess light fixture

- Screwed mounting

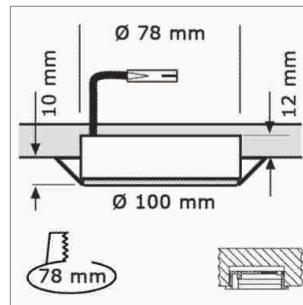
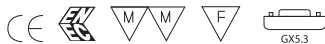
	finish
76.42321.01	gold
76.42321.06	mat nickel
76.42321.11	white
76.42321.39	alu colour



### MFL - Half recess light fixture

- Screwed mounting

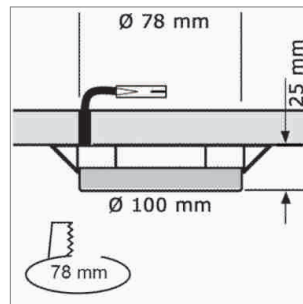
	finish
76.42322.01	gold
76.42322.06	mat nickel
76.42322.11	white
76.42322.39	alu colour



### MFL - Recess light fixture

- Screwed mounting

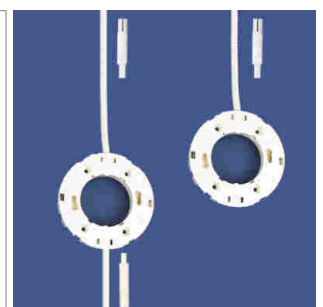
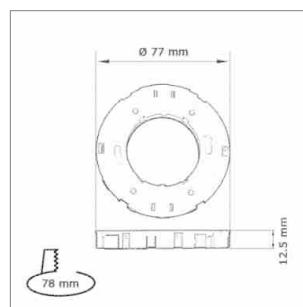
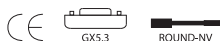
	finish
76.42323.01	gold
76.42323.06	mat nickel
76.42323.11	white



### MFL - GX53 230 V

- Socket with-out trough-wiring: Cable 2000 mm with Round HV male plug
- Socket with through-wiring: 1 cable 800 mm with Round HV male plug, 1 cable 800 mm with Round HV plug-in

	finish	support	variation
76.26120.00	white	GX53	with-out through-wiring
76.26121.00	white	GX53	with through-wiring



**i** Order illuminants separately (page A-1.86).

**i** For spare lightbulbs (page A-1.86), ROUND HV plug-in connection system (page A-1.39), Accessories Round HV plug-in connection system (pages A-1.57), tools (page A-1.43), wall box for concrete embedding (page A-1.80), single component (page A-1.42).

- Screwed mounting, Protection class II.