

LED furniture lighting

Power pack - Blanco 58, Balco 78, Type-distributor

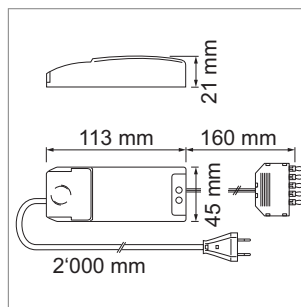
Blanco 58 - Power supply 230 volt/350 mA



- coded for LED lamp Blanco 58 with Jo male plug

	finish	watt	distributor
76.23231.11	white	18.0 W	6 outputs

i Coded for LED lamp:
Blanco 58 (page A-1.22).



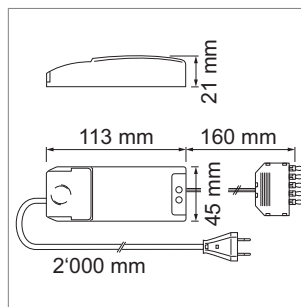
Blanco 78 - Power supply 230 volt/500 mA



- coded for LED lamp Blanco 78 with Jo male plug

	finish	watt	distributor
76.23232.11	white	18.0 W	6 outputs

i Coded for LED lamp:
Blanco 78 (page A-1.26), Sigma (page A-1.30).



Type - LED Extension cable max. 700 mA



- Maximum load capacity 700 mA
- coded for LED lamp 350 - 500 mA

	finish	length
76.19956.29	white	2000 mm

i Technical information and legend for icons (page A-1.79).

