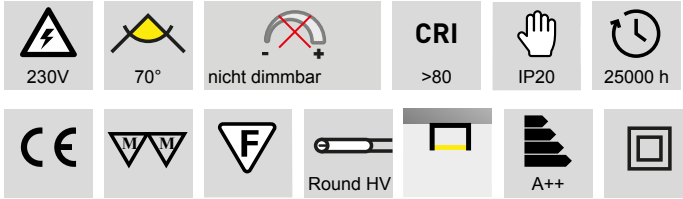


## SimLed - Mounted fluorescent ligh 230 volt

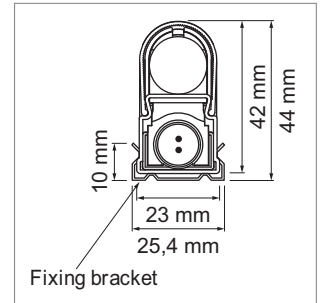


- Casing: plastic
- Horizontal fixing bracket, standard
- Through-wiring, Protection class II

	finish	watt	light colour	lumen	length
76.26081.11	white	3.0 W	3000 K	240 lm	235 mm
76.26082.11	white	3.8 W	3000 K	320 lm	311 mm
76.26083.11	white	7.0 W	3000 K	560 lm	513 mm
76.26084.11	white	9.0 W	3000 K	720 lm	546 mm
76.26085.11	white	13.0 W	3000 K	1040 lm	846 mm
76.26086.11	white	18.0 W	3000 K	1440 lm	1146 mm
76.26087.11	white	22.0 W	3000 K	1760 lm	1446 mm
76.26088.11	white	3.0 W	4000 K	240 lm	236 mm
76.26089.11	white	4.0 W	4000 K	320 lm	285 mm
76.26090.11	white	7.0 W	4000 K	560 lm	513 mm
76.26091.11	white	9.0 W	4000 K	720 lm	546 mm
76.26092.11	white	13.0 W	4000 K	1040 lm	846 mm
76.26093.11	white	18.0 W	4000 K	1440 lm	1146 mm
76.26094.11	white	22.0 W	4000 K	1760 lm	1446 mm

**i** Order the mains supply separately 76.26102.11 (page A-1.39), Accessories Round NV plug-in connection system (page A-1.39).

- Clearance between lights ca. 2 mm.
- Maximum to ten lmaps can be adapted.

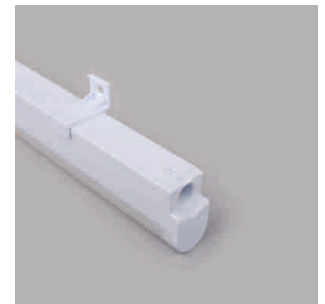


## SimLed - Fixing bracket vertical

- installation clips for vertical fitting

	finish
76.26298.11	plastic white

**!** Only applicable nfor the SlimLed lamp.



## SimLed - Connector for SimLED mounted light 230 V



- Connector for continuous row installation

	finish	watt	ampère
76.26299.11	white	575 W	2.50 A

**!** Only applicable nfor the SlimLed lamp.



**i** Technical information and legend for icons (page A-1.79).