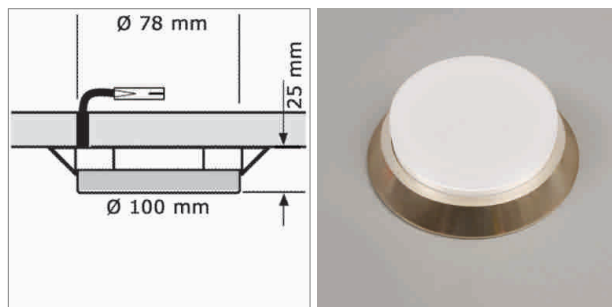


LED furniture lighting

LED light - MLED surface mounting, Manoto

MLED - Lamp for surface mounting 230 volt

230V		90°	not dimmable	CRI >85	IP20
25000 h			Round HV	A+	



- glass: mat
- Cover: plastic
- Cable 2000 mm with Round HV male plug

	finish	watt	light colour	lumen	support
76.26490.06	mat nickel	4.0 W	3000 K	230 lm	GX53
76.26491.06	mat nickel	4.0 W	4000 K	240 lm	GX53

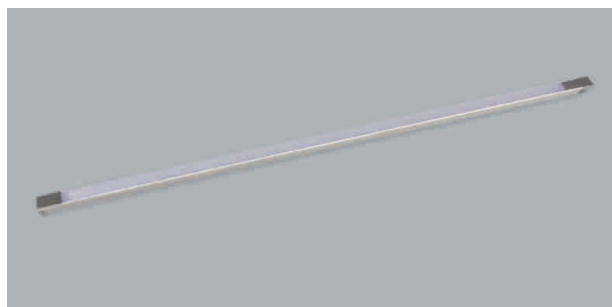
i Accessories Round HV plug-in connection system (pages A-1.39), tools (page A-1.42), for spare lightbulbs (page A-1.78).

Manoto - Mounted LED light 12 volt

12V		dimmable	CRI >80	IP20	30000 h	
	Jo	A+				

- glass: mat
- Casing: plastic, alu colour
- Jo-plug-in connection
- Cable 2000 mm with Jo male plug

	watt	light colour	lumen	length	dim. of Inst.
76.32674.30	6.2 W	3000 K	620 lm	560 mm	558 mm
76.32677.30	10.0 W	3000 K	1000 lm	860 mm	858 mm
76.32678.30	14.0 W	3000 K	1400 lm	1160 mm	1158 mm



i Accessories: power supply (page A-1.38), controller (page A-1.46), Jo plug-in Connection system (page A-1.38).
 • Technical information and legend for icons (page A-1.79).