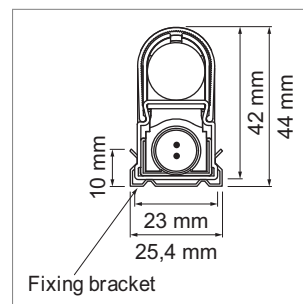
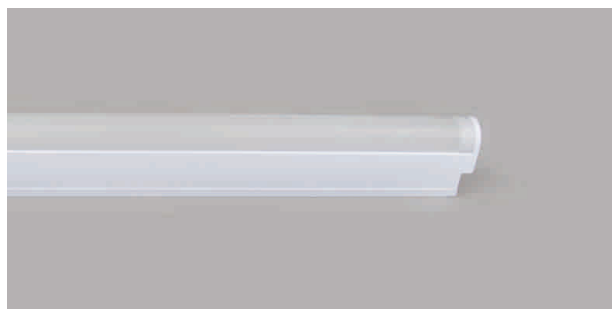


SimLed - Mounted fluorescent light 230 V

- homogenous LED light field
- Horizontal fixing bracket, standard
- Through-wiring, Protection class II

	finish	watt	light colour	lumen	length
76.26081.11	white	3.0 W	3000 K	240 lm	235 mm
76.26082.11	white	3.8 W	3000 K	320 lm	311 mm
76.26083.11	white	7.0 W	3000 K	560 lm	513 mm
76.26084.11	white	9.0 W	3000 K	720 lm	546 mm
76.26085.11	white	13.0 W	3000 K	1040 lm	846 mm
76.26086.11	white	18.0 W	3000 K	1440 lm	1146 mm
76.26087.11	white	22.0 W	3000 K	1760 lm	1446 mm
76.26088.11	white	3.0 W	4000 K	240 lm	236 mm
76.26089.11	white	4.0 W	4000 K	320 lm	285 mm
76.26090.11	white	7.0 W	4000 K	560 lm	513 mm
76.26091.11	white	9.0 W	4000 K	720 lm	546 mm
76.26092.11	white	13.0 W	4000 K	1040 lm	846 mm
76.26093.11	white	18.0 W	4000 K	1440 lm	1146 mm
76.26094.11	white	22.0 W	4000 K	1760 lm	1446 mm



i Order the mains supply separately 76.26102.11 (page A-1.39), Accessories Round NV plug-in connection system (page A-1.39).

- Clearance between lights ca. 2 mm.
- Maximum to ten lmaps can be adapted.

SimLed - Fixing bracket vertical

- installation clips for vertical fitting

finish

76.26298.11 plastic white



! Only applicable nfor the SlimLed lamp.

**SimLed - Connector for SimLED mounted light 230 V**

- Connector for continuous row installation

finish watt ampère

76.26299.11 white 575 W 2.50 A



! Only applicable nfor the SlimLed lamp.



i Energy label (page A-1.91), RA-Faktor (page A-1.90), Lumen (page A-1.90, Light colour (page A-1.90).