

LED furniture lighting

LED light - Flip

Flip TSL LED - Surface mounted light with TouchLED dim function 12 volt DC

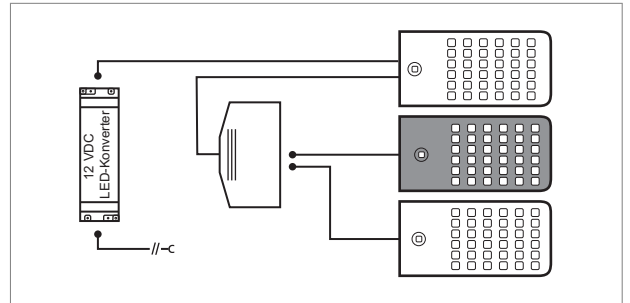
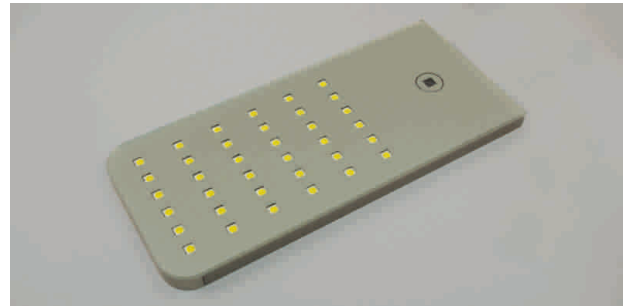
- Cable 20 mm, extension cable 1800 mm with Jo plug

	finish	watt	light colour	variation
76.19237.05	stainless steel	8.6 W	6500 K	no
76.19237.11	white	8.6 W	6500 K	no
76.19239.05	stainless steel	8.6 W	6500 K	TouchLED
76.19239.11	white	8.6 W	6500 K	TouchLED



i The LED Touch Sensor switch has a dimmable function, as well as, the regular turning ON and OFF function. By touching the LED switch the light is turned ON or OFF. By keeping a finger on the switch the light can be dimmed to the required intensity.

- Order the power pack separately (page A-1.38), Jo Plug-in Connection Systems (page A-1.38), Energy label (page A-1.79).



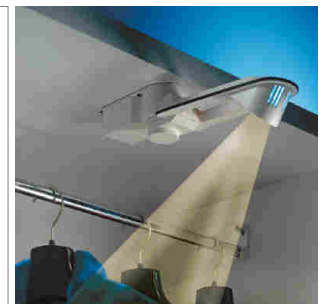
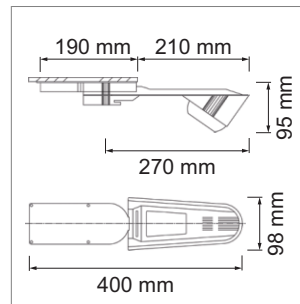
Titano - Cabinet light fixture 230/12 volt DC

- for alle cabinet doors (revolving, folding, sliding doors)
- Swing-out cabinet lamp, swing range 180°
- Cable 2000 mm with Euro- Flat plug
- Simple mounting by screwing

	finish	watt	light colour
76.19253.29	black	1.8 W	6000 K



i When the door is opened, the lamp swings out, is switched on and illuminates the cabinet interior. When the door is closed, the lamp is switched off.



i Technical information and legend for icons (page A-1.79).