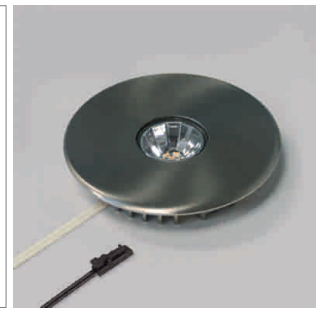
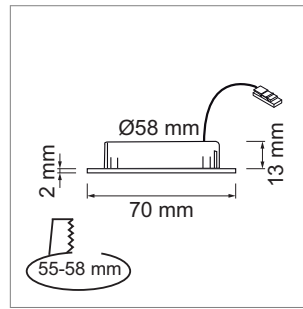


LED furniture lighting  
**LED light - Syno TL, Blanco TL, Moon 68 TL**

**Syno TL LED - Recessed spot light 12 volt DC (Two-Light System)**

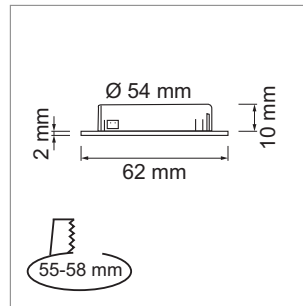


- glass: clear
- Cover: aluminum
- The colour temperature is continuously adjustable from warm white to cold white
- Light Color with Jo-Adapter line TL: warm-white 2700 K
- Light Color without Jo-Adapter line TL: cool-white 6500 K
- Cable 1800 mm with Jo plug

	finish	watt	light colour	lumen
<a href="#">76.19264.05</a>	stainless steel	2.9 W	2700 - 6500 K	225 lm

**i** Order the power pack separately (page A-1.38), Jo plug-in connection system (page A-1.38), Adapter line for fixed Color Setting (page A-1.45), Two-Light color control (page A-1.45).

**Moon 68 TL LED - Recessed spot light 24 volt DC (Two-Light System)**

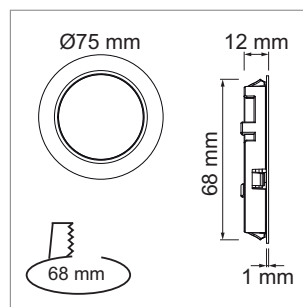
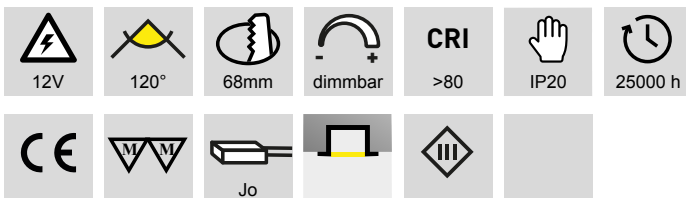


- glass: matt
- cover: aluminum
- The colour temperature is continuously adjustable from warm white to cold white
- Cable 2000 mm with Jow plug

	finish	watt	light colour	lumen
<a href="#">76.32548.50</a>	alu anodized	3.0 W	2700 - 6400 K	255 lm

**i** Blanco Two-Light control unit (page A-1.46).

**Moon 68 TL LED - Recessed spot light 12 volt DC (Two-Light System)**



- glass: mat
- Cover: plastic
- Cable 2000 mm with Jo male plug
- The colour temperature is continuously adjustable from warm white to cold white
- luminous Color with Jo-Adapter line TL: warm-white 3000 K
- luminous Color without Jo-Adapter line TL: cool-white 6000 K

	finish	watt	light colour	lumen
<a href="#">76.19270.05</a>	stainless steel	3.5 W	3000 - 6000 K	200 lm

**i** Order the power pack separately (page A-1.38), Jo plug-in connection system (page A-1.38), Adapter line for fixed Color Setting (page A-1.45), Two-Light color control (page A-1.45).