

# LED furniture lighting

## LED light - Runi

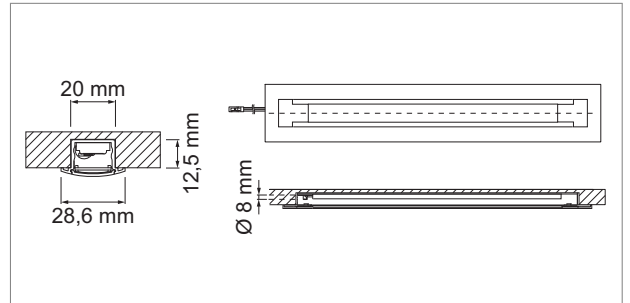
### Runi LED - Recessed spot light 500 mA

- homogenous LED light field
- color reproduction: Ra >75
- cable 2000 mm Type-connection system
- dimmable with a Jolly driver
- lifetime approx. 20,000 hours
- housing made of aluminium, end caps and diffuser made of plastic

	watt	light colour	lumen	length	milling out
<a href="#">76.23212.64</a>	6.00 W	6400 K	480 lm	322 mm	295 mm
<a href="#">76.23213.40</a>	12.00 W	4000 K	840 lm	582 mm	555 mm
<a href="#">76.23213.64</a>	12.00 W	6400 K	960 lm	582 mm	555 mm
<a href="#">76.23214.64</a>	18.00 W	6400 K	1440 lm	842 mm	815 mm
<a href="#">76.23215.64</a>	24.00 W	6400 K	1920 lm	1102 mm	1075 mm



**i** Order Jolly power pack separately (page A-1.36), Type-Interconnection line (page A-1.38), energy label (page A-1.91).



**i** Energy label (page A-1.91), RA-Faktor (page A-1.90), Lumen (page A-1.90, Light colour (page A-1.90).