

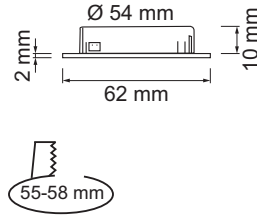
LED furniture lighting

LED light - Blanco TL, Moon 68 TL, Sigma, Pico, Metra

Moon 68 TL LED - Recessed spot light 24 V DC (Two-Light System)

- glass: matt
- Cover: aluminum
- The colour temperature is continuously adjustable from warm white to cold white
- Cable 2000 mm with Jow plug

	finish	watt	light colour	lumen
76.32548.50	alu colour	3.0 W	2700 - 6400 K	200 lm

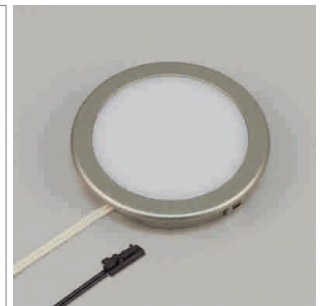
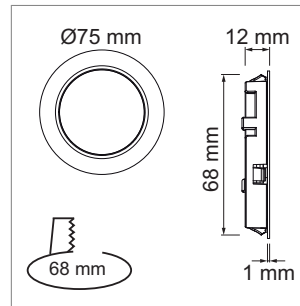


i Blanco Two-Light control unit (page A-1.53)

Moon 68 TL LED - Recessed spot light 12 V DC (Two-Light System)

- The colour temperature is continuously adjustable from warm white to cold white
- luminous Color with Jo-Adapter line TL: warm-white 3000 K
- luminous Color without Jo-Adapter line TL: cool-white 6000 K
- glass mat

	finish	watt	light colour	lumen	angle
76.19270.05	stainless steel	3.5 W	3000 - 6000 K	200 lm	120 °

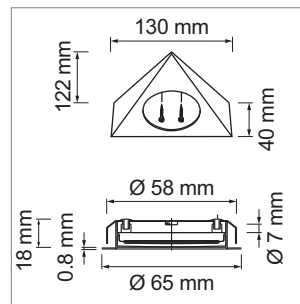


i Order the power pack separately (page A-1.37), Jo plug-in connection system (page A-1.37), Adapter line for fixed Color Setting (page A-1.52), Two-Light color control (page A-1.52).

Sigma LED - surface spot light 500 mA

- Surface light with triangular casing
- Cable 150 mm with Type-Interconnection line 2000 mm
- glass mat

	finish	watt	light colour	lumen	angle
76.23211.30	stainless steel	3.0 W	3000 K	210 lm	120 °

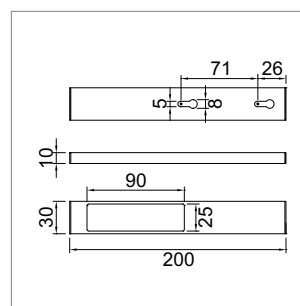


i Order Jolly power pack separately (page A-1.36), Type-Interconnection line (page A-1.36).

Pico LED - surface spot light 12 V DC

- Cable 2000 mm with Jo male plug
- glass mat

	finish	watt	light colour	lumen	angle
76.32537.40	aluminum	2.0 W	4000K	170 lm	120 °



i Order the power pack separately (page A-1.37), Controller (page A-1.53), Jo plug-in connection system (page A-1.37).

Metra - LED recessed spot light 12 V DC

- Cable 2000 mm with Jo plug
- glass mat

	finish	watt	light colour	lumen	angle
76.32530.30	stainless steel	6.0 W	3000 K	280 lm	120 °
76.32530.40	stainless steel	6.0 W	4000 K	280 lm	120 °

