

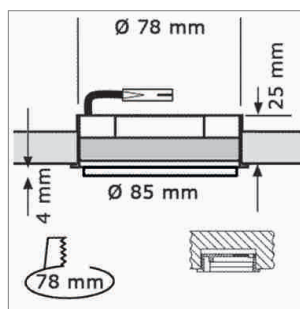
LED furniture lighting

LED light - MLED, MLED-Half recess light, Syno TL

MLED - Recessed spot light 230 V

- Cable 2000 mm with Round HV male plug
- glass mat

	finish	watt	light colour	lumen	support
76.26496.06	mat nickel	4.00 W	3000 K	230 lm	GX53
76.26496.11	white	4.00 W	3000 K	230 lm	GX53
76.26496.39	alu colour	4.00 W	3000 K	230 lm	GX53
76.26497.06	mat nickel	4.00 W	4000 K	240 lm	GX53
76.26497.11	white	4.00 W	4000 K	240 lm	GX53
76.26497.39	alu colour	4.00 W	4000 K	240 lm	GX53
76.26498.06	mat nickel	4.00 W	6400 K	250 lm	GX53
76.26498.11	white	4.00 W	6400 K	250 lm	GX53
76.26498.39	alu colour	4.00 W	6400 K	250 lm	GX53

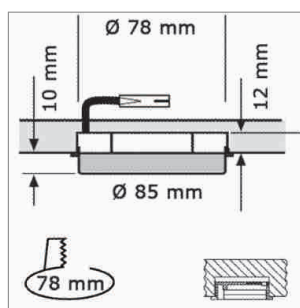


i Order the mains supply separately 76.26102.11, Accessories Round HV plug-in connection system (page A-1.39), Round HV-Switch (page A-1.57), for spare lightbulbs (page A-1.86).

MLED - Half recess light fixture 230 V

- Cable 2000 mm with Round HV male plug
- glass mat

	finish	watt	light colour	lumen	support
76.26493.06	mat nickel	4.0 W	3000 K	230 lm	GX53
76.26493.11	white	4.0 W	3000 K	230 lm	GX53
76.26493.39	alu colour	4.0 W	3000 K	230 lm	GX53
76.26494.06	mat nickel	4.0 W	4000 K	240 lm	GX53
76.26494.11	white	4.0 W	4000 K	240 lm	GX53
76.26494.39	alu colour	4.0 W	4000 K	240 lm	GX53
76.26495.06	mat nickel	4.0 W	6400 K	250 lm	GX53
76.26495.11	white	4.0 W	6400 K	250 lm	GX53
76.26495.39	alu colour	4.0 W	6400 K	250 lm	GX53

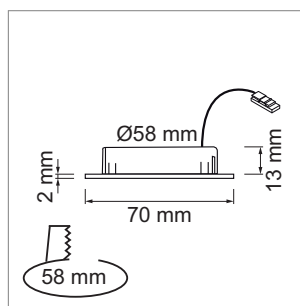


i Order the mains supply separately 76.26102.11, Accessories Round HV plug-in connection system (page A-1.39), Round HV-Switch (page A-1.57), for spare lightbulbs (page A-1.86).

Syno TL LED - Recessed spot light 12 V DC(Two-Light System)

- The colour temperature is continuously adjustable from warm white to cold white
- Light Color with Jo-Adapter line TL: warm-white 2700 K
- Light Color without Jo-Adapter line TL: cool-white 6500 K
- Cable 1800 mm with Jo plug
- glass clear

	finish	watt	light colour	lumen	angle
76.19264.05	stainless steel	2.9 W	2700 - 6500 K	225 lm	35 °



i Order the power pack separately (page A-1.37), Jo plug-in connection system (page A-1.37), Adapter line for fixed Color Setting (page A-1.52), Two-Light color control (page A-1.52).

i Energy label (page A-1.91), RA-Faktor (page A-1.90), Lumen (page A-1.90, Light colour (page A-1.90).