

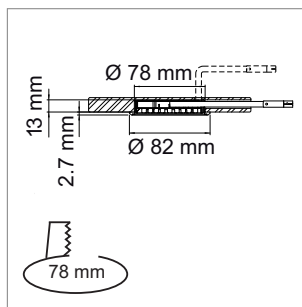
# LED Möbelbeleuchtung

## LED light - Xento 230, Xen

### Xento 230 LED - Recessed spot light 230 V

- Cable 2000 mm with Round HV male plug 2000 mm
- glass mat

	finish	watt	light colour	lumen	angle
76.26447.03	bright chrome	3.8 W	3000 K	245 lm	120 °
76.26447.06	mat nickel	3.8 W	3000 K	245 lm	120 °
76.26447.11	white	3.8 W	3000 K	245 lm	120 °
76.26447.39	alu colour	3.8 W	3000 K	245 lm	120 °
76.26448.03	bright chrome	3.8 W	4000 K	245 lm	120 °
76.26448.06	mat nickel	3.8 W	4000 K	245 lm	120 °
76.26448.11	white	3.8 W	4000 K	245 lm	120 °
76.26448.39	alu colour	3.8 W	4000 K	245 lm	120 °
76.26449.03	bright chrome	3.8 W	6400 K	245 lm	120 °
76.26449.06	mat nickel	3.8 W	6400 K	245 lm	120 °
76.26449.11	white	3.8 W	6400 K	245 lm	120 °
76.26449.39	alu colour	3.8 W	6400 K	245 lm	120 °

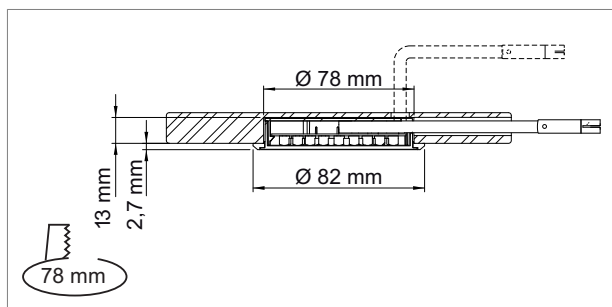


**i** Order the mains supply separately 76.26102.11, Accessories Round HV plug-in connection system (pages A-1.39), Round HV-Switch (page A-1.57), Surface mount ring (page A-1.41).

### Xen LED - Recessed spot light 230 V with spring Clips

- Cable 2000 mm with Round HV male plug
- glass mat

	finish	watt	light colour	lumen	angle
76.26486.03	bright chrome	3.8 W	3000 K	245 lm	120 °
76.26486.06	mat nickel	3.8 W	3000 K	245 lm	120 °
76.26486.11	white	3.8 W	3000 K	245 lm	120 °
76.26486.39	alu colour	3.8 W	3000 K	245 lm	120 °
76.26487.03	bright chrome	3.8 W	4000 K	245 lm	120 °
76.26487.06	mat nickel	3.8 W	4000 K	245 lm	120 °
76.26487.11	white	3.8 W	4000 K	245 lm	120 °
76.26487.39	alu colour	3.8 W	4000 K	245 lm	120 °
76.26488.03	bright chrome	3.8 W	6400 K	245 lm	120 °
76.26488.06	mat nickel	3.8 W	6400 K	245 lm	120 °
76.26488.11	white	3.8 W	6400 K	245 lm	120 °
76.26488.39	alu colour	3.8 W	6400 K	245 lm	120 °



**i** Order the mains supply separately 76.26102.11, Accessories Round HV plug-in connection system (pages A-1.39), Round HV-Switch (page A-1.57).

**i** Energy label (page A-1.91), RA-Faktor (page A-1.90), Lumen (page A-1.90), Light colour (page A-1.90).