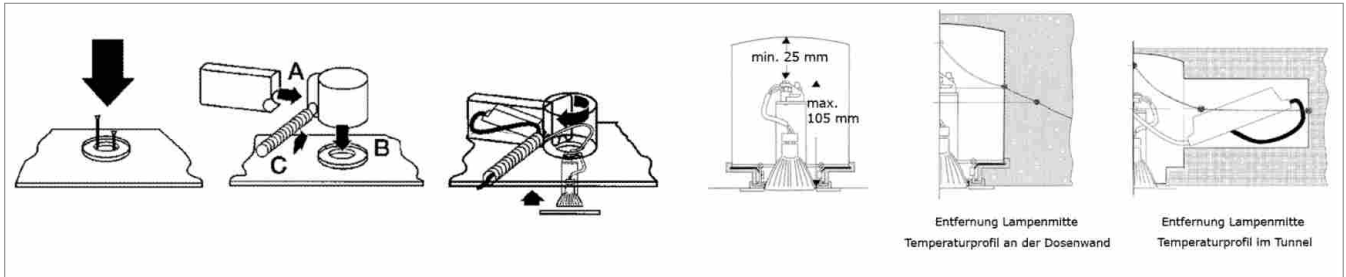


HaloX - Lamp fixtures for concrete embedding

- Temperature profile: Suitable for rigid and mobile lamps.
- Temperature profile with 50 watt lamp, use heat-resistant leads.
- Nail front part onto boarding.
- Open pipe entry, catch corresponding casings, lead pipes in.
- Push primary cable into transformer tunnel, push transformer after it and close partition panel, insert light fixture.
- MD = mounting dimension / OD = outside dimension, see front cover.



HaloX - box for concrete embedding

finish

76.01290.40 Without a transformer tunnel

i Order front cover separately.

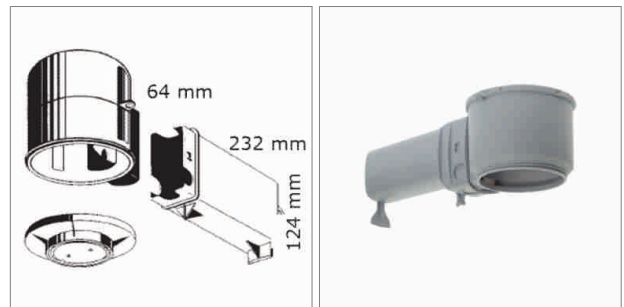


HaloX - box for concrete embedding

finish

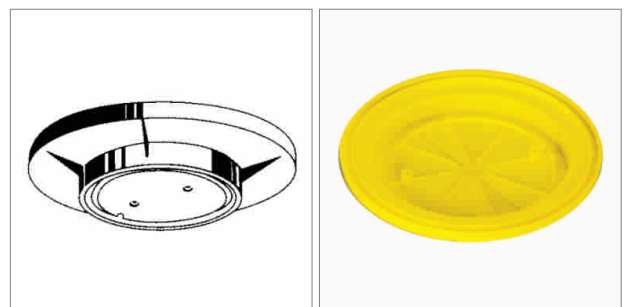
76.01290.41 including transformer tunnel

- Order front cover separately.
- Suitable for converters up to 105 watt maximum.



HaloX - Front cover

	inst. dim. Ø	ext. dim. Ø
76.01290.47	68 mm	75 mm
76.01290.44	75 mm	80 mm
76.01290.45	80 mm	85 mm
76.01290.48	85 mm	92 mm
76.01290.46	95 mm	102 mm
76.01290.49	100 mm	107 mm



HaloX - Cover

	Ø	finish
76.01290.51	40 mm - 100 mm	Universal cover, opening can be milled to size onsite

