

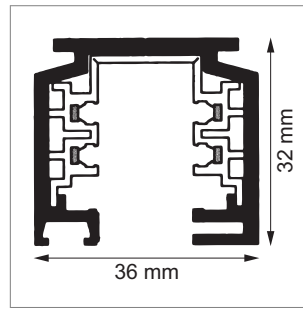
LED Industrie- und Raumbelichtung

3-phase bar system

3PH - Power bar 230 V/16 A

- aluminium profile with 5-conductor insulation system
- 5-conductor bar with three separated, switchable electric circuits
- the bar has prepunched mounting holes
- can be cut by customer to desired length

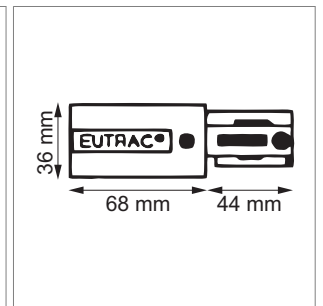
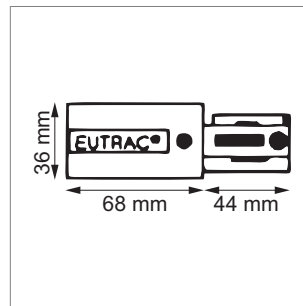
	finish	length
79.05002.11	white	2000 mm
79.05002.29	black	2000 mm
79.05003.11	white	3000 mm
79.05003.29	black	3000 mm
79.05004.11	white	4000 mm
79.05004.29	black	4000 mm



3PH - Supplier 230 V/16 A

- with protective earth conductor left or right

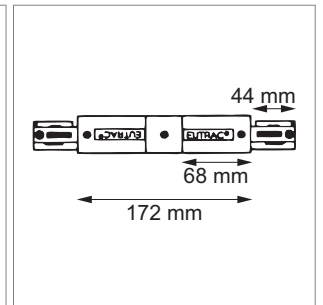
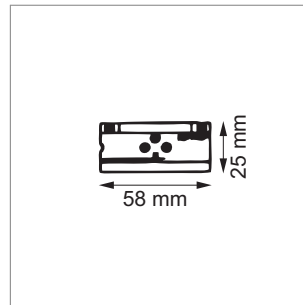
	finish	finish
79.05011.11	white	left
79.05011.29	black	left
79.05012.11	white	right
79.05012.29	black	right



3PH - Connector 230 V/16 A

- electric with or without supplier

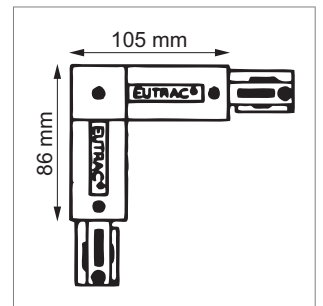
	finish	finish
79.05013.11	white	with supplier
79.05013.29	black	with supplier
79.05014.11	white	without supplier
79.05014.29	black	without supplier



3PH - Corner connector 230 V/16 A

- with supplier alternative
- with protective earth conductor inside or outside

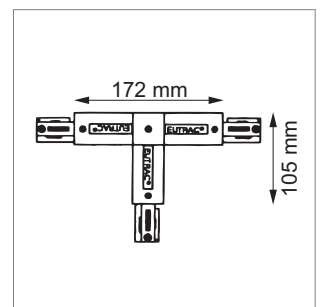
	finish	angle	finish
79.05015.11	white	90 °	outside
79.05015.29	black	90 °	outside
79.05016.11	white	90 °	inside
79.05016.29	black	90 °	inside



3PH - T-connector 230 V/16 A

- with supplier
- with protective earth conductor inside or outside

	finish	angle	finish
79.05017.11	white	outside	outside
79.05017.29	black	outside	outside
79.05018.11	white	inside	inside
79.05018.29	black	inside	inside



i No stock items, only available for order.