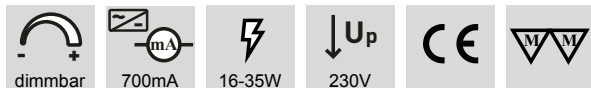


**Converter S1, M1 50 mA / 700 mA**

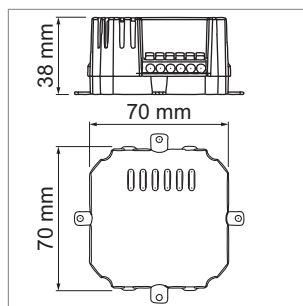
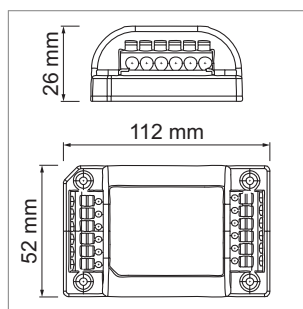


- 50 mA connection ambient light
- 700 mA connection room light
- for spot S100 and spot S102
- primary spring-type terminals 6x 2.5 mm
- secondary spring-type terminals 6x 2.5 mm

	finish	watt	outlets
76.34480.11	white	16 W	50 mA / 700 mA
76.34481.11	white	35 W	50 mA / 700 mA

**i** By usage of the ambience light, it is necessary to make a link between the primary terminal "main-light for ambience-light".

- S1 16 W: 3x Spot S100, 1x Spot S102
- M1 35 W: 7x Spot S100, 3x Spot S102
- Coded for LED lamp: Ambient S102i (page A-1.62).



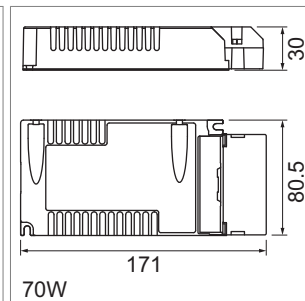
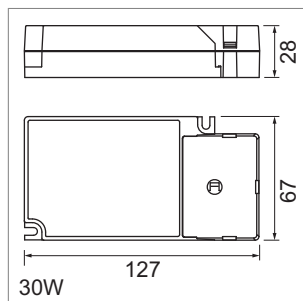
**Converter HLV 350 mA / 500 mA / 700 mA / 1050 mA**



- for spot S100, spot S102, spot S104
- primary spring-type terminals 6x 2.5 mm
- secondary spring-type terminals 6x 2.5 mm

	finish	watt	outlets	finish
76.34484.11	white	30 W	350 / 500 / 700 mA	on / off
76.34488.11	white	30 W	350 / 500 / 700 mA	1 - 10 V
76.34489.11	white	30 W	350 / 500 / 700 mA	Dali
76.34478.11	white	70 W	700 / 1050 mA	on / off
76.34479.11	white	70 W	700 / 1050 mA	Dali

- i**
- HLV 30 W: 6x Spot S100, 3x Spot S102, 1x Spot S104
  - HLV 70 W: 15x Spot S100, 7x Spot S102, 3x Spot S104
  - Coded for LED lamp: Ambient S102i, S1204i (page A-1.62).



**i** Technical information and legend for icons (page A-1.79).