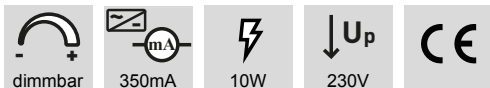


# LED industrial and room lighting

## Power supply - Lina, Kaj, MX1

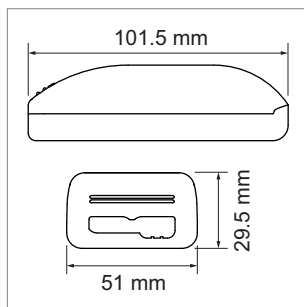
### Lina - Power pack 230 volt/350 mA



- Can be dimmed using leading edge and trailing edge phase control dimmers, and 1 - 10 volt
- Primary/Secondary: clamp connection

	finish	watt	finish	length	width	height
79.00051.00	white	10 W	dimnable	100 mm	50 mm	30 mm

**i** Coded for LED lamp: Lin 7 /10 (page A-1.60).



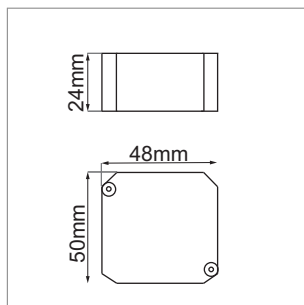
### Kaj - Ceiling light fixture 230 volt/700 mA



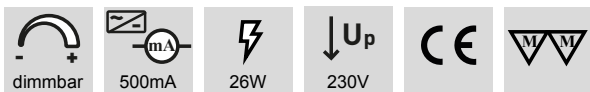
- dimmed with a trailing-edge phase angle dimmer
- Primary cable 2000 mm with Euro flat plug

	finish	watt	finish	length	width	height
79.00053.11	white	9 W	not dimmable	48 mm	48 mm	24 mm

**i** Coded for LED lamp: Kaj (page A-1.60).



### Converter MX1 50 mA / 500 mA

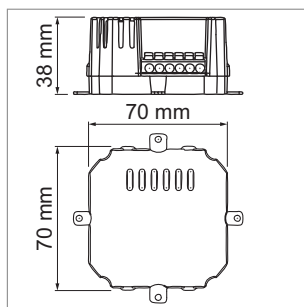


- 50 mA connection ambient light
- 500 mA connection room light
- primary spring-type terminals 6x 2.5 mm
- secondary spring-type terminals 6x 2.5 mm

	finish	watt	outlets
76.34483.11	grey	26 W	50 mA / 500 mA

**i** By usage of the ambiance light, it is necessary to make a link between the primary terminal "main-light for ambiance-light".

- Coded for LED lamp: Ambient S104i (page A-1.62).



**i** Technical information and legend for icons (page A-1.79).