

LED industrial and room lighting

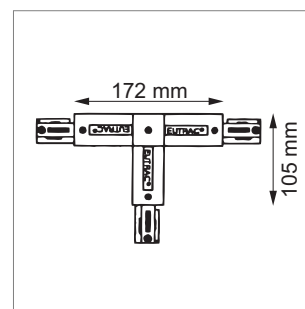
3-phase bar system - 3PH

3PH - T-connector 230 volt/16 A



- with supplier
- with protective earth conductor inside or outside

	finish	angle	finish
79.05017.11	white	outside	outside
79.05017.29	black	outside	outside
79.05018.11	white	inside	inside
79.05018.29	black	inside	inside

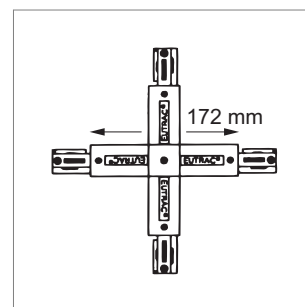


3PH - X-connector 230 volt/16 A



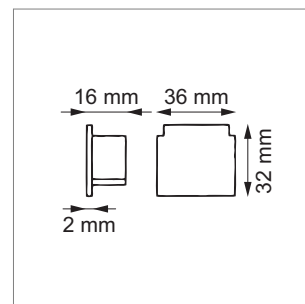
- with supplier
- looping on site

	finish	angle
79.05019.11	white	X
79.05019.29	black	X



3PH - End cap

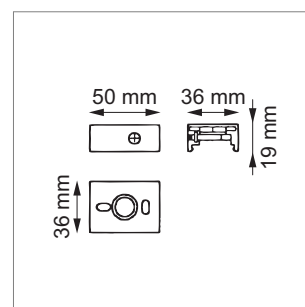
	finish
79.05021.11	white
79.05021.29	black



3PH - Mounting bracket



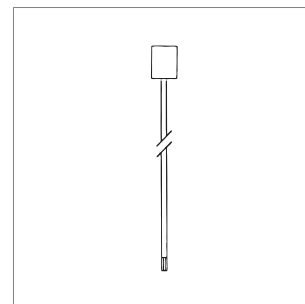
	finish	application
79.05022.11	white	for rod Suspension and rope swing
79.05022.29	black	for rod Suspension and rope swing



3PH - Dashpot with canopy



	finish	length	application
79.05023.11	white	600 mm	for mounting bracket
79.05023.29	black	600 mm	for mounting bracket
79.05024.11	white	1200 mm	for mounting bracket
79.05024.29	black	1200 mm	for mounting bracket



- i** Technical information and legend for icons (page A-1.79).
- No stocks, only on request deliverable.