

# LED Industrie- und Raumbelichtung

## Ceiling LED lights - Ambient S102i, S104i, S100i, S102i

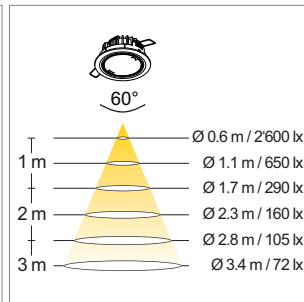
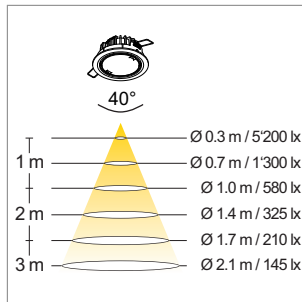
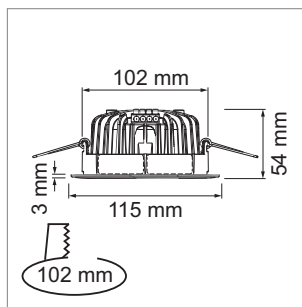
### Ambient S102i - Recessed ceiling LED light 700 mA

- dimmable with conreoller 1 - 10 volt
- tiltable 20°

	finish	watt	light colour	lumen	Index Ra	angle
76.34455.30	white	9 W	3000 K	700 lm	>80	40°
76.34460.40	white	9 W	4000 K	700 lm	>80	40°
76.34456.30	white	9 W	3000 K	700 lm	>80	60°
76.34461.40	white	9 W	4000 K	700 lm	>80	60°
76.34463.40	silver color	9 W	4000 K	700 lm	>80	60°



**i Further versions on request.**  
Order the power pack separately (page A-1.77, A-1.78), Fitting for recessed box for concrete (page A-1.79).

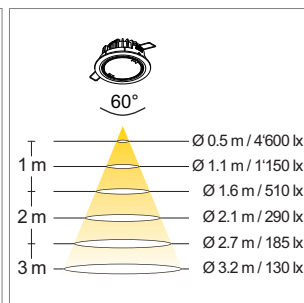
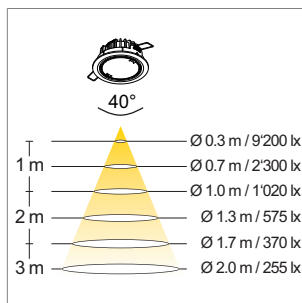


### Ambient S104i - Recessed ceiling LED light 500 mA

	finish	watt	light colour	lumen	Index Ra	angle
76.34490.30	white	18 W	3000 K	1150 lm	>80	40°
76.34498.40	white	18 W	4000 K	1150 lm	>80	40°
76.34506.30	white	18 W	3000 K	1150 lm	>80	60°
76.34514.40	white	18 W	4000 K	1150 lm	>80	60°



**i Further versions on request.**  
Order the power pack separately (page A-1.77, A-1.78), Fitting for recessed box for concrete (page A-1.79).



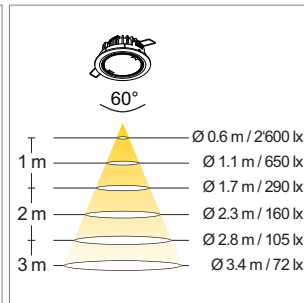
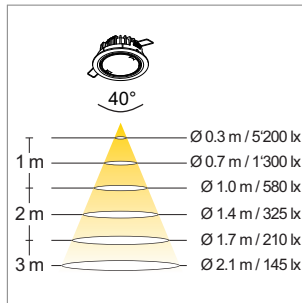
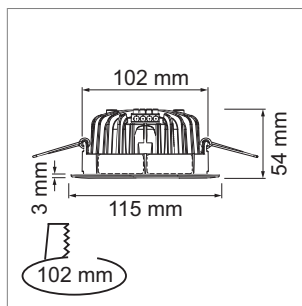
### Ambient S100i, S102i - Recessed ceiling LED light 230 V

- can be dimmed with a trailing-edge phase angle dimmer
- Tilttable 20°

	finish	watt	light colour	lumen	Index Ra	angle
76.34576.27	white	6 W	2700 K	350 lm	>80	60°
76.34576.30	white	6 W	3000 K	350 lm	>80	60°
76.34576.40	white	6 W	4000 K	350 lm	>80	60°
76.34577.27	white	11 W	2700 K	700 lm	>80	60°
76.34577.30	white	11 W	3000 K	700 lm	>80	60°
76.34577.40	white	11 W	4000 K	700 lm	>80	60°



**i Fitting for recessed box for concrete (page A-1.91).**



**i Energy label (page A-1.91), RA-Faktor (page A-1.90), Lumen (page A-1.90), Light colour (page A-1.90).**