

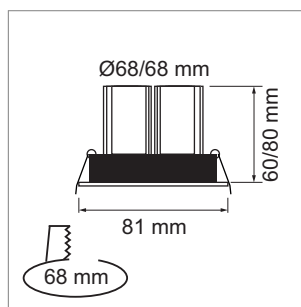
LED industrial and room lighting

Ceiling LED lights - Lina 7, 10, Kaj, Slay, Paju

Lina 7, Lina 10 - Recessed ceiling LED light 230 V

- included power pack, not dimmable
- Tiltable 30°
- installation measures Lina 7 (Ø/h): max. 68 mm x 60 mm
- installation measures Lina 10 (Ø/h): max. 68 mm x 80 mm

	finish	watt	light colour	lumen	Index Ra	angle
79.61013.30	white	7.00 W	3000 K	500 lm	>82	38 °
79.61014.30	white	10.00 W	3000 K	800 lm	>82	38 °

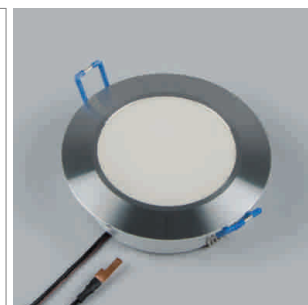
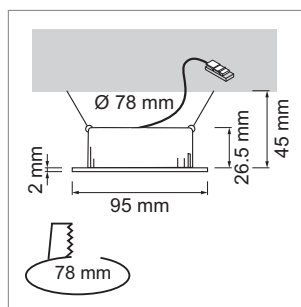


i Accessories can be dimmed for a trailing-edge Phase angle dimmer 79.00053.00 (page A-1.77).

Kaj - Recessed ceiling LED light 350 mA

- Cable 100 mm, extension cable 2000 mm with Type plug 2000 mm
- rigid

	finish	watt	light colour	lumen	Index Ra	angle
79.61017.30	aluminum	6.30 W	3000 K	510 lm	>80	120 °
79.61018.30	white	6.30 W	3000 K	510 lm	>80	120 °

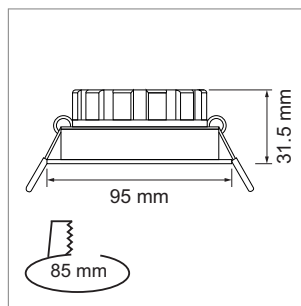


i Order the power pack separately (A-1.77, A-1.78), Extension cable A-1.36).

Slay - Recessed ceiling LED light 230 V

- including power pack. Can be dimmed with a trailing-edge phase angle dimmer
- warm white adjustable
- Tiltable 28°

	finish	watt	light colour	lumen	angle
79.61056.27	white	8.0 W	2000 - 2700 K	500 lm	40 °
79.61057.27	mat nickel	8.0 W	2000 - 2700 K	500 lm	40 °
79.61058.27	black	8.0 W	2000 - 2700 K	500 lm	40 °



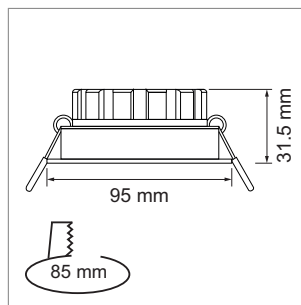
i Light colour the lamp's colour temperature changes according to the brightness setting. The brighter the lamp, the cooler the light colour.

- To be connected by an electrician.

Paju - Recessed ceiling LED light 230 V

- including power pack. Can be dimmed with a trailing-edge phase angle dimmer
- Tiltable 28°

	finish	watt	light colour	lumen	angle
79.61060.27	white	8.0 W	2700 K	720 lm	45 °
79.61061.27	mat nickel	8.0 W	2700 K	720 lm	45 °
79.61062.27	black	8.0 W	2700 K	720 lm	45 °
79.61060.30	white	8.0 W	3000 K	720 lm	45 °
79.61061.30	mat nickel	8.0 W	3000 K	720 lm	45 °
79.61062.30	black	8.0 W	3000 K	720 lm	45 °
79.61060.40	white	8.0 W	4000 K	720 lm	45 °
79.61061.40	mat nickel	8.0 W	4000 K	720 lm	45 °
79.61062.40	black	8.0 W	4000 K	720 lm	45 °



i To be connected by an electrician.