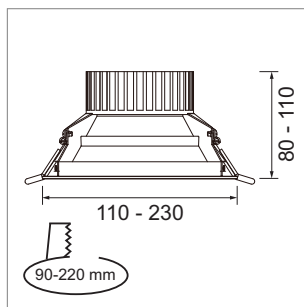
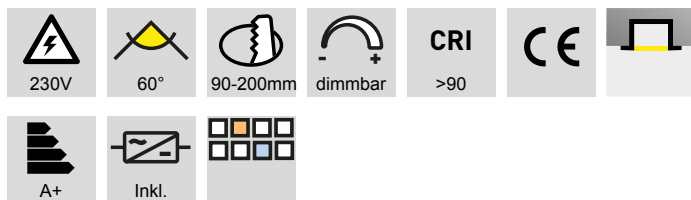


LED industrial and room lighting

Ceiling LED lights - Tugar, Kibun

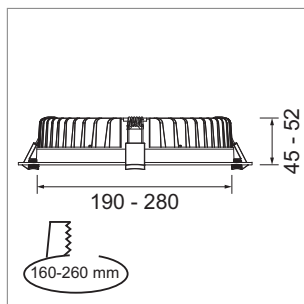
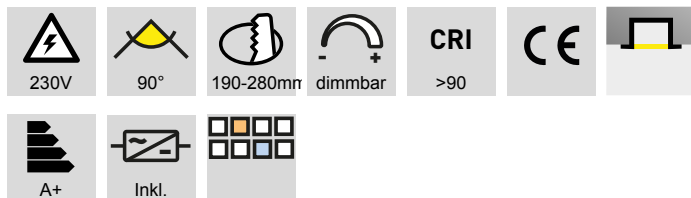
Tugar - Recessed ceiling LED light 230 volt



- including power pack. Can be dimmed with a trailing-edge phase angle dimmer
- installation measures (Ø): 13 W = 90-100 mm, 25 W = 160-180 mm, 35 W = 200-220 mm

	finish	watt	light colour	lumen	Index Ra	angle
79.61063.30	white	13 W	3000 K	1000 lm	>90	60 °
79.61063.40	white	13 W	4000 K	1150 lm	>90	60 °
79.61064.30	white	25 W	3000 K	2330 lm	>90	60 °
79.61064.40	white	25 W	4000 K	2520 lm	>90	60 °
79.61065.30	white	35 W	3000 K	3320 lm	>90	60 °
79.61065.40	white	35 W	4000 K	3350 lm	>90	60 °

Kibun - Recessed ceiling LED light 230 volt



- including power pack. Can be dimmed with a trailing-edge phase angle dimmer
- installation measures (Ø): 25 W = 160-170 mm, 35 W = 200-210 mm, 45 W = 230-260 mm

	finish	watt	light colour	lumen	Index Ra	angle
79.61066.30	white	25 W	3000 K	1880 lm	>90	90 °
79.61066.40	white	25 W	4000 K	1950 lm	>90	90 °
79.61067.30	white	35 W	3000 K	2560 lm	>90	90 °
79.61067.40	white	35 W	4000 K	2710 lm	>90	90 °
79.61068.30	white	45 W	3000 K	3460 lm	>90	90 °
79.61068.40	white	45 W	4000 K	3680 lm	>90	90 °

i Technical information and legend for icons (page A-1.79).