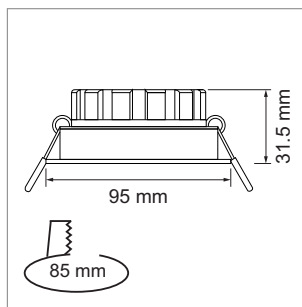


Slay - Recessed ceiling LED light 230 volt

- including power pack. Can be dimmed with a trailing-edge phase angle dimmer
- warm white adjustable
- Tilttable 28°
- power supply (lxwxh): 125 mm x 44 mm x 30 mm

	finish	watt	light colour	lumen	angle
79.61056.27	white	8.0 W	2000 - 2700 K	500 lm	40 °
79.61057.27	aluminum effect	8.0 W	2000 - 2700 K	500 lm	40 °
79.61058.27	black	8.0 W	2000 - 2700 K	500 lm	40 °

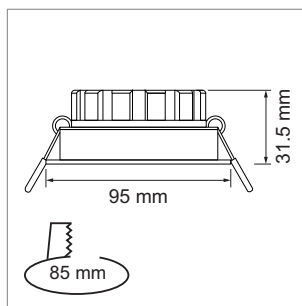


- i** Light colour the lamp's colour temperature changes according to the brightness setting. The brighter the lamp, the cooler the light colour.
- To be connected by an electrician.

Paju - Recessed ceiling LED light 230 volt

- including power pack. Can be dimmed with a trailing-edge phase angle dimmer
- Tilttable 28°
- power supply (lxwxh): 125 mm x 44 mm x 30 mm

	finish	watt	light colour	lumen	angle
79.61060.27	white	8.0 W	2700 K	720 lm	45 °
79.61061.27	aluminum effect	8.0 W	2700 K	720 lm	45 °
79.61062.27	black	8.0 W	2700 K	720 lm	45 °
79.61060.30	white	8.0 W	3000 K	720 lm	45 °
79.61061.30	aluminum effect	8.0 W	3000 K	720 lm	45 °
79.61062.30	black	8.0 W	3000 K	720 lm	45 °
79.61060.40	white	8.0 W	4000 K	720 lm	45 °
79.61061.40	aluminum effect	8.0 W	4000 K	720 lm	45 °
79.61062.40	black	8.0 W	4000 K	720 lm	45 °



- i**
- To be connected by an electrician.
 - Further versions on request.

i Technical information and legend for icons (page A-1.79).