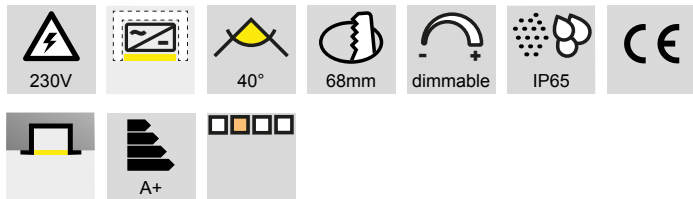


LED industrial and room lighting

Ceiling LED lights - Siabu

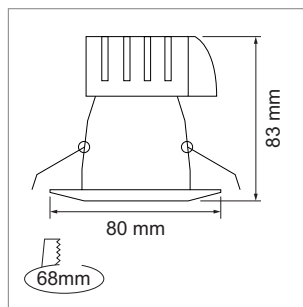
Siabu - Recessed ceiling LED light 230 volt



- integrated power supply, Can be dimmed with a trailing-edge phase angle dimmer
- protection class: IP65

	finish	watt	light colour	lumen	angle
79.61052.30	white	10.0 W	3000 K	800 lm	40 °
79.61053.30	mat nickel	10.0 W	3000 K	800 lm	40 °
79.61054.30	black	10.0 W	3000 K	800 lm	40 °

- !** To be connected by an electrician.
- Further versions on request.



i Technical information and legend for icons (page A-1.79).