

# LED Industrie- und Raumbelichtung

## LED pedant light - Flaty, NoEnd

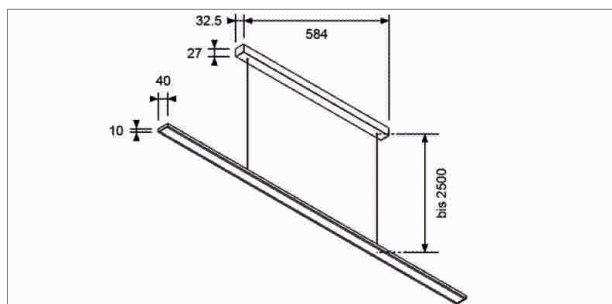
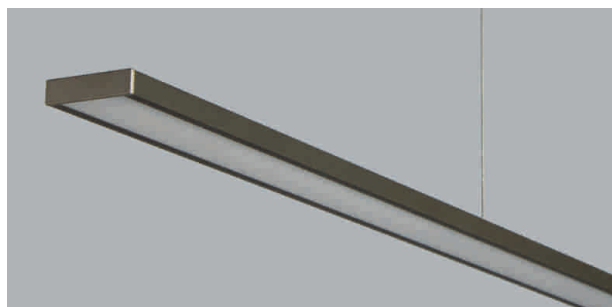
### Flaty - Pendant lamp LED 230 V



- Colour reproduction: Ra >80
- includes canopy

	finish	watt	light colour	lumen	length
73.40168.30	aluminum	17.0 W	3000 K	1440 lm	900 mm
73.40169.30	stainless steel	17.0 W	3000 K	1440 lm	900 mm
73.40170.30	black	17.0 W	3000 K	1440 lm	900 mm
73.40171.30	aluminum	23.0 W	3000 K	1920 lm	1200 mm
73.40172.30	stainless steel	23.0 W	3000 K	1920 lm	1200 mm
73.40173.30	black	23.0 W	3000 K	1920 lm	1200 mm
73.40174.30	aluminum	29.0 W	3000 K	2400 lm	1500 mm
73.40175.30	stainless steel	29.0 W	3000 K	2400 lm	1500 mm
73.40176.30	black	29.0 W	3000 K	2400 lm	1500 mm
73.40168.40	aluminum	17.0 W	4000 K	1440 lm	900 mm
73.40169.40	stainless steel	17.0 W	4000 K	1440 lm	900 mm
73.40170.40	black	17.0 W	4000 K	1440 lm	900 mm
73.40171.40	aluminum	23.0 W	4000 K	1920 lm	1200 mm
73.40172.40	stainless steel	23.0 W	4000 K	1920 lm	1200 mm
73.40173.40	black	23.0 W	4000 K	1920 lm	1200 mm
73.40174.40	aluminum	29.0 W	4000 K	2400 lm	1500 mm
73.40175.40	stainless steel	29.0 W	4000 K	2400 lm	1500 mm
73.40176.40	black	29.0 W	4000 K	2400 lm	1500 mm

- No stock items, Delivery time about 2-3 week.
- Further light types upon request.
- Dimmable with potential free contact.



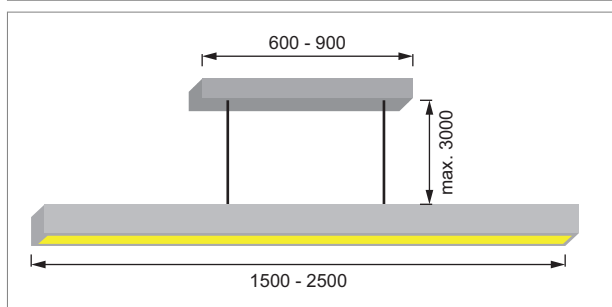
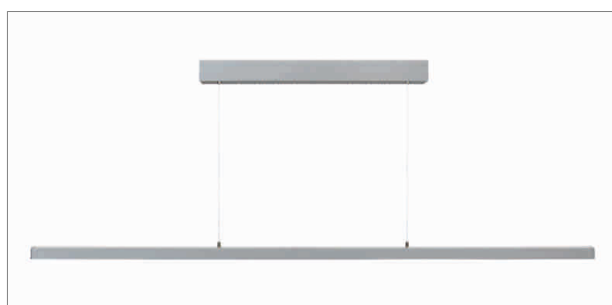
### NoEnd - Pendant lamp LED made to measure 230 V

- Light assembled
- LED point of intersection: all 100 mm
- Light colors: warm-white 2700 K, 3000 K, neutral-white 4000 K
- incl. baldachin
- protection class: IP20

	finish	watts/m	Index Ra	length
71.20112.00	aluminum	19.2 W/m	>95	1500 - 2500 mm



- **Further versions on request:** Activation for 10 - 10 V, Dali, trailing-edge phase angle dimmer, rotary dimmers- or gesture control.



- Technical information and legend for icons (page A-1.79).