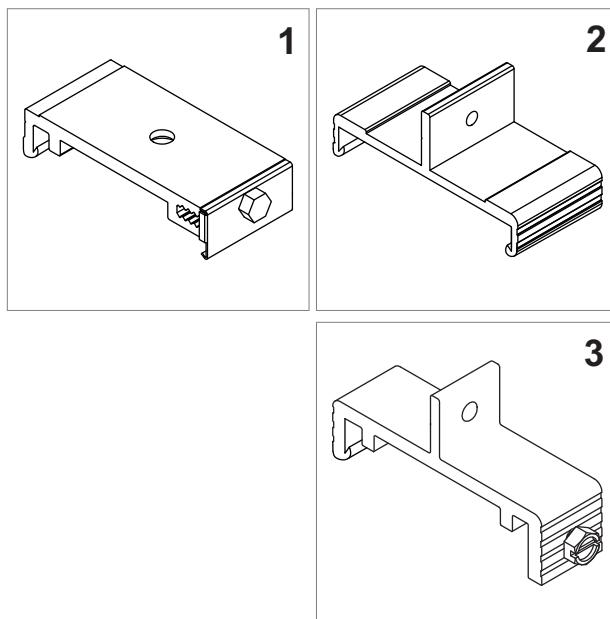


Veko - Suspension brackets

- Suspension brackets for chain, rope and ceiling installation

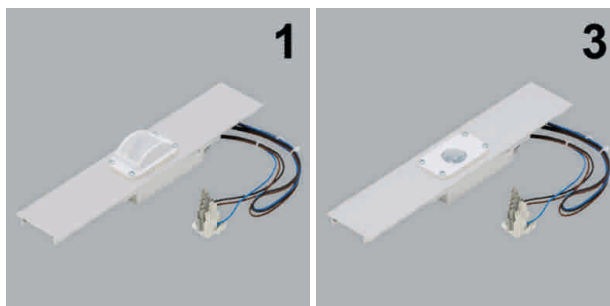
	finish	application	type
79.00150.50	aluminum	for ceiling	IP20
79.00151.50	aluminum	for chain	IP20
79.00152.50	aluminum	for chain	IP54



Veko - Presence and daylight detector

- Presence detector, detector
- Breaking capacity 6 ampère, 230 volt
- Coverage area: max. 2x 7 m (14 m)
- Installation height: max. 14 m

	distance	height	variation	type
79.00160.50	2x 7 m (14 m)	14 m	DALI	1
79.00161.50	2x 6 m (14 m)	10 m	DALI	3



i Application examples:

Parking garages, shelf and high-bay aisles, plant and industrial halls, wet rooms and humidors.

i Technical information and legend for icons (page A-1.79).