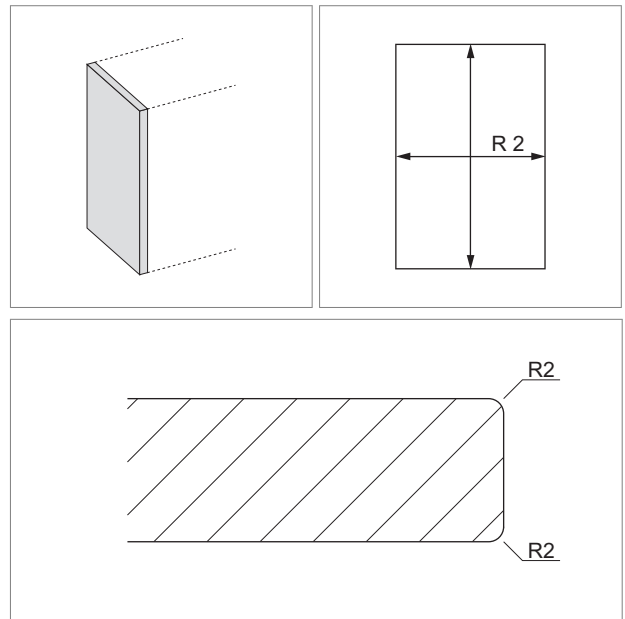


Decor end panel ultra-mat and quartz varnish

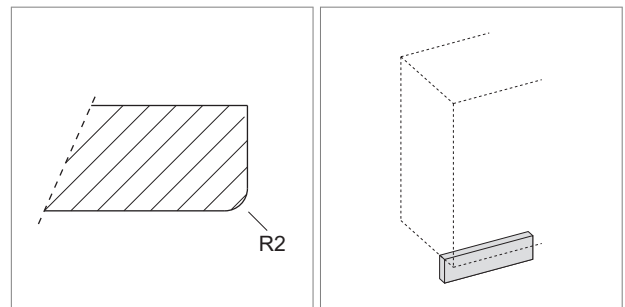
- both sides the same surface
- all edges with 2 mm radius
- height: min. 200 mm / max. 2400 mm
- width: min. 200 mm / max. 700 mm
- Produced with a hollow body above approximate 0.9 m² and 50 mm, 60 mm or 100 mm thickness.

	model	finish	thickness
57.14654.00	decor end panel	ultra-mat	19 mm
57.14652.00	decor end panel	ultra-mat	22 mm
57.14754.00	decor end panel	ultra-mat	25 mm
57.14653.00	decor end panel	ultra-mat	30 mm
57.14655.00	decor end panel	ultra-mat	40 mm
57.14854.00	decor end panel	ultra-mat	50 mm
57.14656.00	decor end panel	ultra-mat	60 mm
57.14650.00	decor end panel	ultra-mat	100 mm
57.14634.00	decor end panel	quartz	19 mm
57.14632.00	decor end panel	quartz	22 mm
57.14734.00	decor end panel	quartz	25 mm
57.14633.00	decor end panel	quartz	30 mm
57.14635.00	decor end panel	quartz	40 mm
57.14834.00	decor end panel	quartz	50 mm
57.14636.00	decor end panel	quartz	60 mm
57.14630.00	decor end panel	quartz	100 mm

**Plinth, ultra-mat and quartz varnish**

- thickness 19 mm
- 1 edge with radius
- unilaterally painted
- raw reverse
- length max.: 2750 mm
- height max.: 300 mm

	model	finish
57.14459.00	plinth	ultra-mat
57.14439.00	plinth	quartz



i **Note for order per fax:**

For fax orders and enquiries please use our order form on page B-1.79.