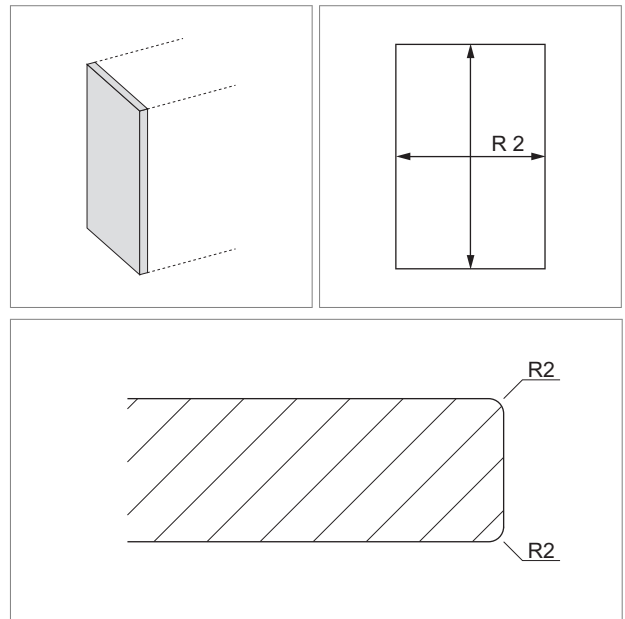


**Decor end panel varnish**

All edges with 2 mm radius Finish: high-gloss varnish: 1-side high-gloss varnish and polished, back-side high-gloss varnish (without polish)

- height: min. 200 mm / max. 2400 mm
- width: min. 200 mm / max. 700 mm
- Produced with a hollow body above approximate 0.9 m<sup>2</sup> and 50 mm, 60 mm or 100 mm thickness.

	model	finish	thickness
57.14604.00	panel	high-gloss varnish	19 mm
57.14602.00	panel	high-gloss varnish	22 mm
57.14704.00	panel	high-gloss varnish	25 mm
57.14603.00	panel	high-gloss varnish	30 mm
57.14605.00	panel	high-gloss varnish	40 mm
57.14804.00	panel	high-gloss varnish	50 mm
57.14606.00	panel	high-gloss varnish	60 mm
57.14600.00	panel	high-gloss varnish	100 mm



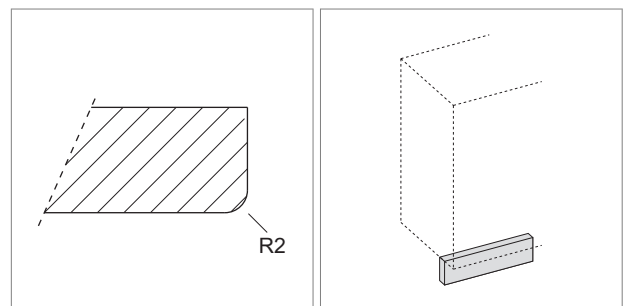
mat varnish: matt finish on both sides

	model	finish	thickness
57.14614.00	panel	mat varnish	19 mm
57.14612.00	panel	mat varnish	22 mm
57.14714.00	panel	mat varnish	25 mm
57.14613.00	panel	mat varnish	30 mm
57.14615.00	panel	mat varnish	40 mm
57.14814.00	panel	mat varnish	50 mm
57.14616.00	panel	mat varnish	60 mm
57.14610.00	panel	mat varnish	100 mm

**Plinth**

- thickness 19 mm
- 1 edge with radius
- unilaterally painted
- raw reverse
- length max.: 2750 mm
- height max.: 300 mm

	model	finish
57.14409.00	plinth	high-gloss varnish
57.14419.00	plinth	mat varnish



**i** **Note for order per fax:**

For fax orders and enquiries please use our order form on page B-1.79.