

Lacquer Fronts - Berlioz, high-gloss or mat varnish

Berlioz - high-gloss or mat varnish

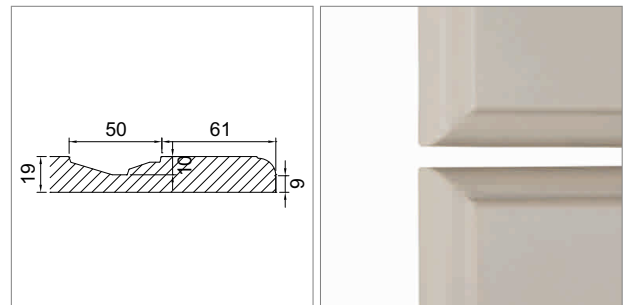
- ▣ thickness 19 mm
- ▣ high-gloss: front-side high-gloss, back-side mat varnish
- ▣ mat varnish: both sided mat varnish
- ▣ 8 standard colors
- ▣ choice of colors possible
- ▣ custom made, undrilled
- ▣ both sided with a radius of approx.
- ▣ milling of profiles, according to different dimensions
- ▣ frontally supplied with a safety foil
- ▣ substrate: MDF
- ▣ lead time for colors standard: approx. 7 weeks
- ▣ lead time for colors on request: approx. 8 weeks

i Mesures min. / max.:

- short side max.: 700 mm
- short side min.: 115 mm
- long side max.: 1500 mm
- long side min.: 296 mm
- width min.: 296 mm
- filler (without milling) short side min.: 50 mm
- filler, long side max.: 2500 mm

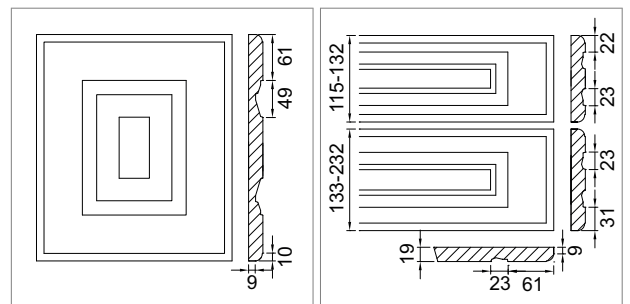


	model	variation	finish
57.13710.00	Berlioz	door	mat varnish
57.13711.00	Berlioz	drawer narrow	mat varnish
57.13712.00	Berlioz	drawer medium	mat varnish
57.13714.00	Berlioz	filler	mat varnish
57.13700.00	Berlioz	door	high gloss finish
57.13701.00	Berlioz	drawer narrow	high gloss finish
57.13702.00	Berlioz	drawer medium	high gloss finish
57.13704.00	Berlioz	filler	high gloss finish

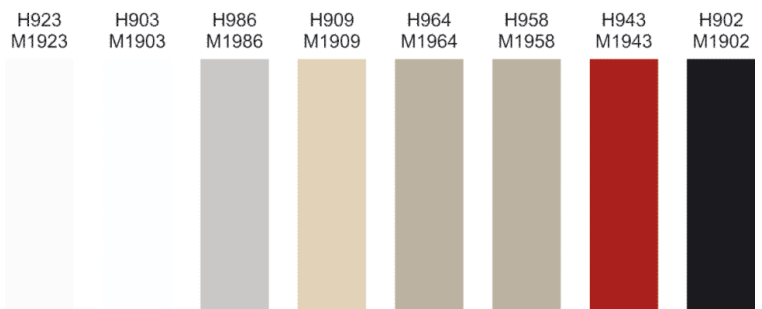


	description	finish
57.92002.00	color surcharge	for customized colour

! **Height of front: please note the milling of narrow fronts:**
In some case it may be advisable, to order small fronts as filler.



- ▣ H923/M1923 white alpin
- ▣ H903/M1903 white
- ▣ H986/M1986 are grey
- ▣ H909/M1909 champagner
- ▣ H964/M1964 sand
- ▣ H958/M1958 cappuccino
- ▣ H943/M1943 red
- ▣ H902/M1902 black



i **H9xx = high-gloss varnish / M19xx = mat varnish**

i **Note for order per fax:**
You can find decor end panels and plinths on page B-1.48, samples on page B-1.50. For fax orders and enquiries please use our order form on page B-1.79.