

Kadra 10 - mat varnish

- thickness 19 mm
- both sided mat varnish
- 8 standard colors
- choice of colors possible
- custom made, undrilled
- both sided with a radius of approx. 2 mm
- frontally supplied with a safety foil
- substrate: MDF
- lead time for colors standard: approx. 7 weeks
- lead time for colors on request: approx. 8 weeks

**Mesures min. / max.:**

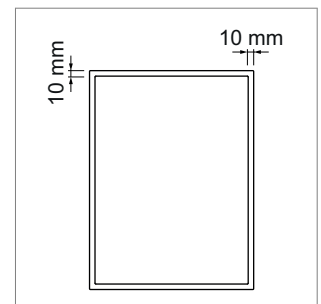
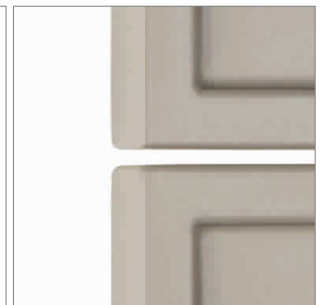
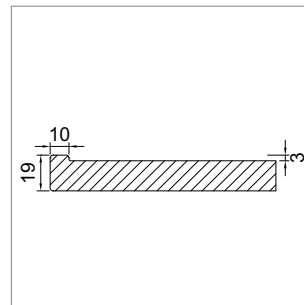
- short side max. with milling: 800 mm
- short side min. with milling: 100 mm
- long side max. with milling: 2200 mm
- long side min. with milling: 290 mm
- for fronts without milling, use model Arezo B-1.29

**Other sizes available on request**

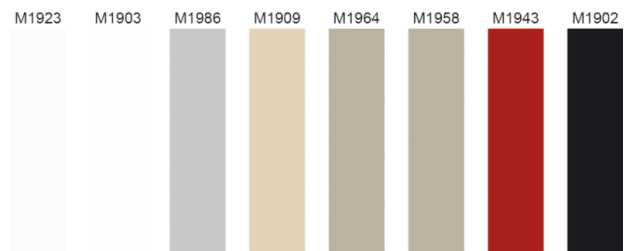
	model	finish	variation
57.13910.00	Kadra 10	mat varnish	with milling
57.92002.00	color surcharge	for customized colour	

**Attention of the drilling depth**

The thickness of the in the material in the centre is only approx. 13 mm.



- M1923 white alpin
- M1903 white
- M1986 are grey
- M1909 champagner
- M1964 sand
- M1958 cappuccino
- M1943 red
- M1902 black

**Note for order per fax:**

You can find decor end panels and plinths on page B-1.48, samples on page B-1.50. For fax orders and enquiries please use our order form on page B-1.79.

**color charts**

Deviations between colours and the fronts are unavoidable.