

**Kadra 90 - mat varnish**

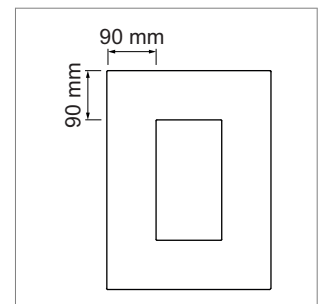
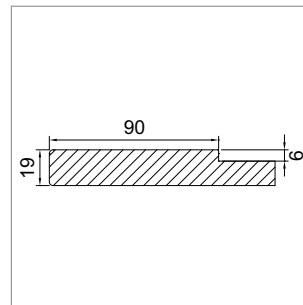
- ▣ thickness 19 mm
- ▣ both sided mat varnish
- ▣ 8 standard colors
- ▣ choice of colors possible
- ▣ custom made, undrilled
- ▣ both sided with a radius of approx. 2 mm
- ▣ frontally supplied with a safety foil
- ▣ substrate: MDF
- ▣ lead time for colors standard: approx. 7 weeks
- ▣ lead time for colors on request: approx. 8 weeks

**Mesures min. / max.:**

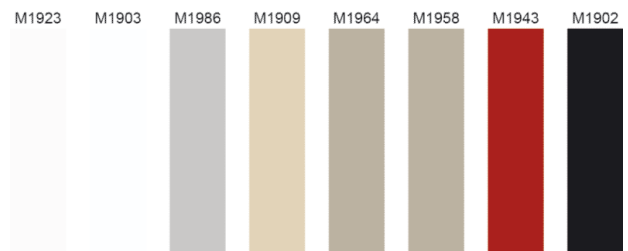
- short side max.: 800 mm
- short side min.: 233 mm
- long side max.: 1500 mm
- long side min.: 290 mm
- for fronts without milling, use model Arezo B-1.29

**Other sizes available on request**

	model	finish	variation
<a href="#">57.13810.00</a>	Kadra 90	mat varnish	with milling
<a href="#">57.92002.00</a>	color surcharge	for customized colour	



- ▣ M1923 white alpin
- ▣ M1903 white
- ▣ M1986 are grey
- ▣ M1909 champagner
- ▣ M1964 sand
- ▣ M1958 cappuccino
- ▣ M1943 red
- ▣ M1902 black

**Note for order per fax:**

You can find decor end panels and plinths on page B-1.48, samples on page B-1.50. For fax orders and enquiries please use our order form on page B-1.79.

**color charts**

Deviations between colours and the fronts are unavoidable.