

Lacquer Fronts - Arezo with Luron

Arezo with milling for handle stripe Luron - lacquer fronts

- thickness 19 mm
- high-gloss varnish: front-side high-gloss varnish, back-side mat varnish
- mat varnish: both sides mat varnish
- 8 standard colors
- customized colors are possible
- custom made, undrilled
- both sides with a radius of 2 mm
- 1 edge in width with milling for handle stripe
- front side supplied with a safety foil
- substrate: MDF
- lead time for colors standard: approx. 5 weeks
- lead time for colors on request: approx. 6 weeks

i min./max. mesures

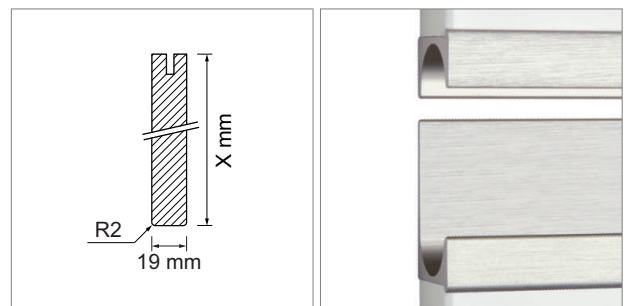
- short side max.: 900 mm
- short side min.: 50 mm
- long side max.: 2400 mm
- long side min.: 200 mm
- for fronts without milling, use model Arezo



! The aluminum handle profile Luron must be ordered separately

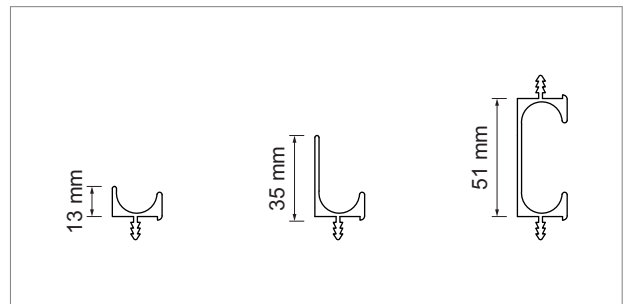
Profile Luron on page: D-1.03. The installation of the aluminum handle profile is the responsibility of the purchaser

		finish	variation
57.14407.00	Arezo-Luron	high-gloss varnish	with milling
57.14417.00	Arezo-Luron	mat varnish	with milling
57.92002.00	color surcharge	for customized colour	

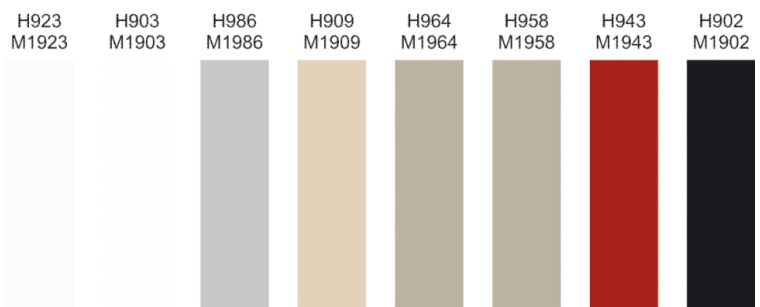


! Attention: Please note the correct indication of the height!

For the order, we need to specify the measure X



- H923/M1923 white alpin
- H903/M1903 white
- H986/M1986 are grey
- H909/M1909 champagner
- H964/M1964 sand
- H958/M1958 cappuccino
- H943/M1943 red
- H902/M1902 black



i H9xx = high-gloss varnish / M19xx = mat varnish

i Note for order per fax:

You can find decor end panels and plinths on page B-1.48, samples on page B-1.50. For fax orders and enquiries please use our order form on page B-1.79.

! color charts

Printed colours in catalogue can be different from original front colors.