

Lacquer Fronts - Arezo with Wiki

Arezo with milling for handle stripe Wiki- lacquer fronts

- ▣ thickness 19 mm
- ▣ high-gloss varnish: front-side high-gloss varnish, back-side mat varnish
- ▣ mat varnish: both sides mat varnish
- ▣ 8 standard colors
- ▣ customized colors are possible
- ▣ custom made, undrilled
- ▣ both sides with a radius of 2 mm
- ▣ 1 edge in width with milling for handle stripe
- ▣ front side supplied with a safety foil
- ▣ substrate: MDF
- ▣ lead time for colors standard: approx. 5 weeks
- ▣ lead time for colors on request: approx. 6 weeks

i min./max. mesures

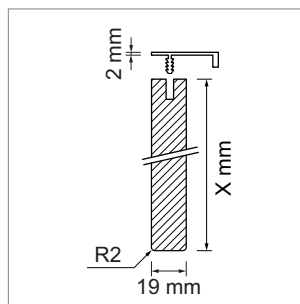
- short side max.: 900 mm
- short side min.: 50 mm
- long side max.: 2400 mm
- long side min.: 200 mm
- for fronts without milling, use model Arezo



! The aluminum handle profile Wiki must be ordered separately

Profile Wiki on page D-1.02. The installation of the aluminum handle profile is the responsibility of the purchaser

		finish	variation
57.14401.00	Arezo-Wiki	high-gloss varnish	with milling
57.14411.00	Arezo-Wiki	mat varnish	with milling
57.92002.00	color surcharge	for customized colour	

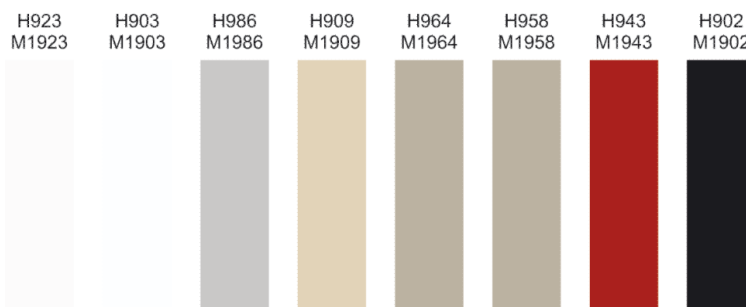


! Attention: Please note the correct indication of the height!

For the order, we need to specify the measure X



- ▣ H923/M1923 white alpin
- ▣ H903/M1903 white
- ▣ H986/M1986 are grey
- ▣ H909/M1909 champagner
- ▣ H964/M1964 sand
- ▣ H958/M1958 cappuccino
- ▣ H943/M1943 red
- ▣ H902/M1902 black



i H9xx = high-gloss varnish / M19xx = mat varnish

i Note for order per fax:

You can find decor end panels and plinths on page B-1.48, samples on page B-1.50. For fax orders and enquiries please use our order form on page B-1.79.

! color charts

Printed colours in catalogue can be different from original front colors.