

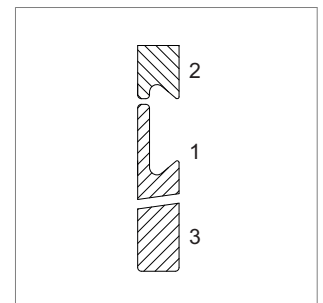
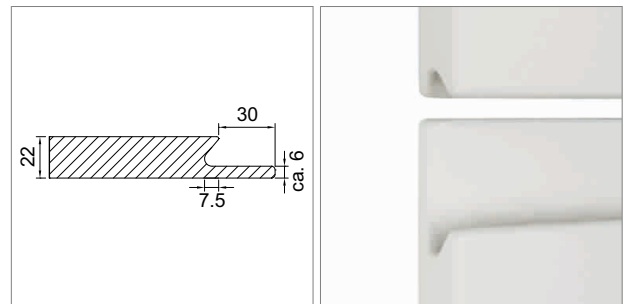
Velino - mat varnish

- ▣ thickness 22 mm
- ▣ front-side and back-side mat varnish
- ▣ 8 standard colors
- ▣ choice of colors possible
- ▣ 2 different handles / without handles
- ▣ custom made, undrilled
- ▣ unilaterally with a radius of 2 mm
- ▣ frontally supplied with a safety foil
- ▣ substrate: MDF
- ▣ lead time for colors standard: approx. 7 weeks
- ▣ lead time for colors on request: approx. 8 weeks

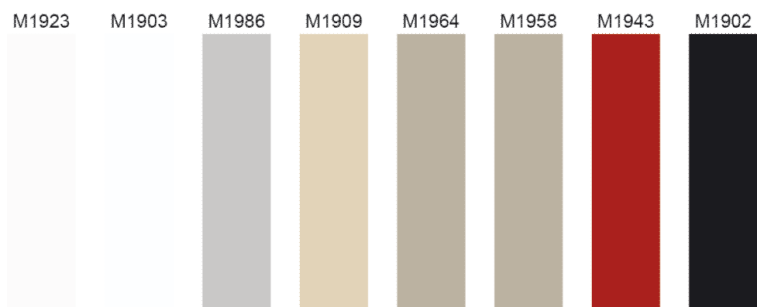
**Mesures min. / max.:**

- short side max.: 840 mm
- short side with handles min.: 114 mm
- short side without handles min.: 50 mm
- long side max.: 2400 mm
- long side min.: 200 mm

	model	finish	handle
57.14211.00	Velino	mat varnish	1 long
57.14212.00	Velino	mat varnish	2 short
57.14213.00	Velino	mat varnish	3 without
57.14214.00	Velino	mat varnish	1+2 long + short
57.92002.00	color surcharge	for customized colour	



- ▣ M1923 white alpin
- ▣ M1903 white
- ▣ M1986 are grey
- ▣ M1909 champagner
- ▣ M1964 sand
- ▣ M1958 cappuccino
- ▣ M1943 red
- ▣ M1902 black

**Note for order per fax:**

You can find decor end panels and plinths on page B-1.48, samples on page B-1.50. For fax orders and enquiries please use our order form on page B-1.79.

**color charts**

Deviations between colours and the fronts are unavoidable.