

Lacquer Fronts - Arezo, ultra mat and quartz varnish

Arezo - Ultra-mat and quartz varnish

Ultra matt and quartz varnish are special surfaces. The Ultra matt varnish is based on the usual matt surface, and quartz varnish is based on a structured surface. An additional, specially adapted clear varnish is superimposed onto these virtually finished surfaces. Ultra matt varnish therefore results in a very matt surface, which is more scratch resistant and leaves behind less Fingerprints. Quartz varnish results in a hard surface with a metallic appearance.

- thickness 19 mm
- Ultra-matt: front-side Ultra-mat, back-side mat varnish
- Quartz: front-side quartz varnish, back-side structured varnish
- 8 standard colors
- choice of colors possible - Color Deviation!
- custom made, undrilled
- unilaterally with a radius of 2 mm
- frontally supplied with a safety foil
- substrate: MDF
- lead time for colors standard: approx. 7 weeks
- lead time for colors on request: approx. 8 weeks

i min./max. mesures

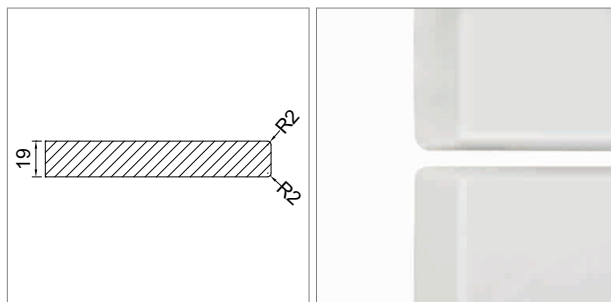
- short side max.: 900 mm
- short side min.: 50 mm
- long side max.: 2400 mm
- long side min.: 200 mm

! Color deviation

Due to the addition of a transparent cover varnish, the basic color may vary slightly. It cannot be excluded that the color may deviate from a color without ultra matt / quartz varnish.

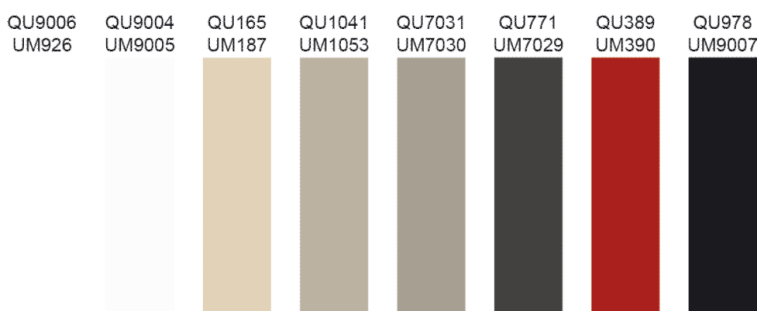


	model	front-side	back-side
57.14450.00	Arezo ultramat	ultra-mat	mat varnish
57.14430.00	Arezo quartz	quartz	structured varnish
57.92002.00	color surcharge	for customized colour	



QU = quartz / UM = ultra-mat

- QU9006 / UM926 white alpin
- QU9004 / UM9005 white
- QU165 / UM187 champagner
- QU1041 / UM1053 sand
- QU7031 / UM7030 cappuccino
- QU771 / UM7029 anthrazit
- QU389 / UM390 red
- QU978 / UM9007 black



i Note for order per fax:

You can find decor end panels and plinths on page B-1.49, samples on page B-1.50. For fax orders and enquiries please use our order form on page B-1.79.

! color charts

Deviations between colours and the fronts are unavoidable.