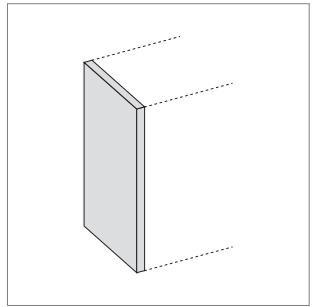


Faces for Inoxia

For the Inoxia fronts we also offer 2 different faces. The faces have a back support allowing you to neatly align the board.

- Thickness approx. 20 mm
- 2 different edge designs
- 2 different surfaces
- Backside inserted in chipboard
- Surfaces and edges supplied with protective foil
- Lead time approx. 6 weeks

**Min./max. mass:**

- Height: min. 200 mm max. 1400 mm
- Width: min. 300 mm max. 1400 mm

**Sanding direction**

The sanding direction for the SAT surface is vertical! Should you need faces with a horizontal grain, the maximum height is 1300 mm

	model	finish	edge	surface
57.18010.00	inoxia panel	stainless steel	1 LK	SAT
57.18020.00	inoxia panel	stainless steel	2 LK	SAT

