

Vittoria - stainless steel fronts

Exclusive front - coated with stainless steel.

- thickness approx. 22 mm
- front coated with stainless steel 1 mm
- surfaces SAT (scotch brite)
- neatly welded corners
- Backside made of particle board with grey melamine, with ABS edges
- delivered with a protective foil
- manufactured to size
- weight approx. 22 kg/m²
- lead time approx. 6 weeks

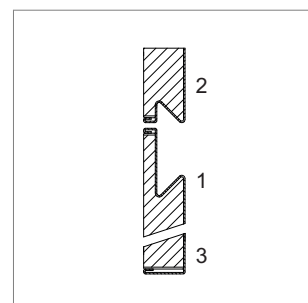
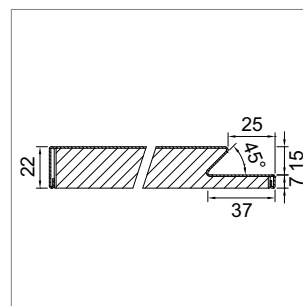
**Mesures min./max.:**

- door height: min. 114 mm / max. 1400 mm
- door width: min. 200 mm / max. 1400 mm
- filler width: min. 80 mm

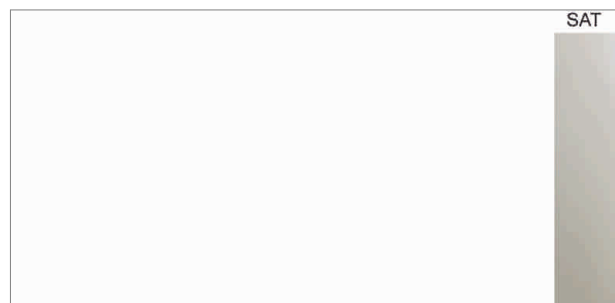
**Front Dimension / Position of handle**

- Height of fronts: we recommend to order as short fronts as possible.
- The handle Profile is located to the width of the front.

	model	finish	grain direction	handle
57.18201.00	Vittoria	stainless steel	vertical	1 long
57.18202.00	Vittoria	stainless steel	vertical	2 short
57.18203.00	Vittoria	stainless steel	vertical	3 without
57.18211.00	Vittoria	stainless steel	horizontal	1 long
57.18212.00	Vittoria	stainless steel	horizontal	2 short
57.18213.00	Vittoria	stainless steel	horizontal	3 without



- SAT Inox scotch brite

**Note for order per fax:**

You find decor end panels on page B-1.23, samples on page B-1.26. For fax orders and enquiries: order form on page B-1.79.

**Color Charts**

Deviations between colours and the fronts are unavoidable.