

Organic Glass high gloss or satin

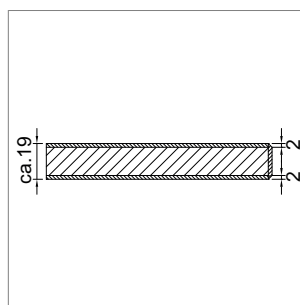
A new material that convinces with his scratch resistance and his shine. A 2 mm full-acryl in connection with a lear high polished laser edge. Ther is a perfect look like a glued glass. Advantage: you can edit tze part every time. Examples: Finger holes, handle shell groove or interconnecting joints.



- unilaterally coatet with a 2 mm acrylic paint, backside white mat
- thickness approx. 19 mm
- with laser edges - Asymmetric structure: the upper part of teh edge is transparent, the lower part is in the color of the front
- decor end panel both sides with acryl 2 mm
- laser edge uni for the decor end panel
- substrate: MDF
- scratch resistant and unbreakable surface
- fronts supplied with a safety foil, undrilled
- weight fronts aprox. 16 kg/m²
- lead time: approx. 5 weeks

Mesures min./max.:

- short side max.: 1200 mm
- short side min.: 50 mm
- long side max.: 2750 mm
- long side min.: 201 mm



	model	type	finish	thickness	edges
57.15320.00	Organic Glass	front	high gloss 1 side	19 mm	spezial laser edge
57.15321.00	Organic Glass	front	satin 1 side	19 mm	spezial laser edge
57.15330.00	Organic Glass	decor end panel	high gloss	19.5 mm	uni
57.15340.00	Organic Glass	decor end panel	high gloss	24 mm	uni

	SNOO	OWHO	CREO	MINO	DGRO	LGRO	WGRO	MIRO	AWHO	WHIO	MAGO	KASO	GREO
▪ SNOO Snow/11145*/PXP21	[Color swatch]	[Color swatch]	[Color swatch]	[Color swatch]	[Color swatch]	[Color swatch]	[Color swatch]	[Color swatch]	[Color swatch]	[Color swatch]	[Color swatch]	[Color swatch]	[Color swatch]
▪ OWHO Old White/11154*/PXP21	[Color swatch]	[Color swatch]	[Color swatch]	[Color swatch]	[Color swatch]	[Color swatch]	[Color swatch]	[Color swatch]	[Color swatch]	[Color swatch]	[Color swatch]	[Color swatch]	[Color swatch]
▪ CREO Creme/7585*/PXP21	[Color swatch]	[Color swatch]	[Color swatch]	[Color swatch]	[Color swatch]	[Color swatch]	[Color swatch]	[Color swatch]	[Color swatch]	[Color swatch]	[Color swatch]	[Color swatch]	[Color swatch]
▪ MINO Mint/5367*/PXP21	[Color swatch]	[Color swatch]	[Color swatch]	[Color swatch]	[Color swatch]	[Color swatch]	[Color swatch]	[Color swatch]	[Color swatch]	[Color swatch]	[Color swatch]	[Color swatch]	[Color swatch]
▪ DGRO Dark Grey/85648*/PXP21	[Color swatch]	[Color swatch]	[Color swatch]	[Color swatch]	[Color swatch]	[Color swatch]	[Color swatch]	[Color swatch]	[Color swatch]	[Color swatch]	[Color swatch]	[Color swatch]	[Color swatch]
▪ LGRO Light Grey/85670*/PXP21	[Color swatch]	[Color swatch]	[Color swatch]	[Color swatch]	[Color swatch]	[Color swatch]	[Color swatch]	[Color swatch]	[Color swatch]	[Color swatch]	[Color swatch]	[Color swatch]	[Color swatch]
▪ WGRO White Grey/85669*/PXP21	[Color swatch]	[Color swatch]	[Color swatch]	[Color swatch]	[Color swatch]	[Color swatch]	[Color swatch]	[Color swatch]	[Color swatch]	[Color swatch]	[Color swatch]	[Color swatch]	[Color swatch]
▪ MIRO Mirror/1721L*/PXP	[Color swatch]	[Color swatch]	[Color swatch]	[Color swatch]	[Color swatch]	[Color swatch]	[Color swatch]	[Color swatch]	[Color swatch]	[Color swatch]	[Color swatch]	[Color swatch]	[Color swatch]
▪ AWHO Arctic White/11045**/PXP	[Color swatch]	[Color swatch]	[Color swatch]	[Color swatch]	[Color swatch]	[Color swatch]	[Color swatch]	[Color swatch]	[Color swatch]	[Color swatch]	[Color swatch]	[Color swatch]	[Color swatch]
▪ WHIO White/11022**/PXP	[Color swatch]	[Color swatch]	[Color swatch]	[Color swatch]	[Color swatch]	[Color swatch]	[Color swatch]	[Color swatch]	[Color swatch]	[Color swatch]	[Color swatch]	[Color swatch]	[Color swatch]
▪ MAGO Magnolia/7516**/PXP	[Color swatch]	[Color swatch]	[Color swatch]	[Color swatch]	[Color swatch]	[Color swatch]	[Color swatch]	[Color swatch]	[Color swatch]	[Color swatch]	[Color swatch]	[Color swatch]	[Color swatch]

Note for order per fax:

7529 Fax and samples on page B-1.25. For fax orders and enquiries please use our order form on page B-1.79.

- GREO Grey/85474**/PXP

* = unilateral 19 mm/** =

unilateral 19 mm/double-

sided 20/24 mm

Color Charts
Color number Senosan. Deviations between colours and the fronts are unavoidable.