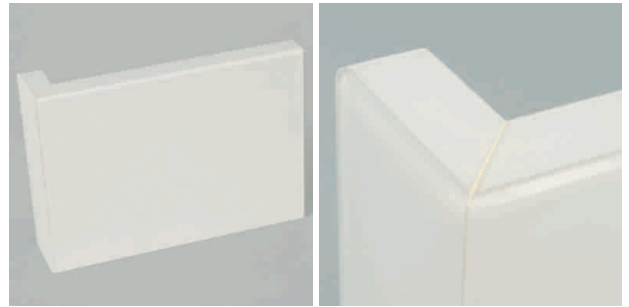


Spezial fronts - Complements Verro and Ceramo

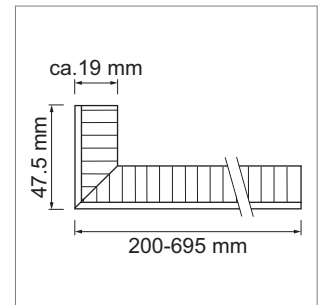
Faces for Verro and Ceramo

A special face is available as an accessory for the fronts Verro and Ceramo. This is a workpiece that is mitre-processed on one side. Only one-sided angle pieces are available (as per drawing). The ordering customer is responsible for the substructure.

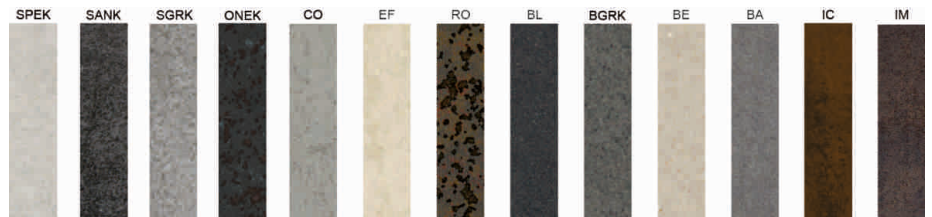


- thickness approx. 19.5 mm
- side length fix 47.5 mm
- carrier board approx. 16.5 mm
- float glass 7 ceramic coating 3 mm
- backside coated white
- without drill holes
- without substructure
- lead time approx. 5 weeks

| | description | finish | max. height |
|-------------|-------------|------------|-------------|
| 57.15450.00 | Verro | high-gloss | 800 mm |
| 57.15450.91 | Verro | satinato | 800 mm |
| 57.15430.00 | Ceramo | ceramic | 800 mm |
| 57.15460.00 | Verro | high-gloss | 2200 mm |
| 57.15460.91 | Verro | satinato | 2200 mm |
| 57.15440.00 | Ceramo | ceramic | 2200 mm |

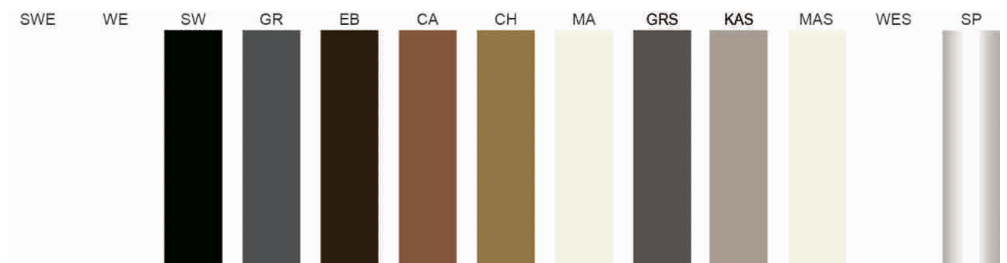


- SPEK Savoia Perla/PXP52
- SANK Savoia Antracite/PXP52
- SGRK Savoia Grigia/PXP52
- ONEK Oxide Nero/PXP52
- CO Concret
- EF Oxide Avorio ivory
- RO Oxide Moro red
- BL Basalt Black
- GR Basalt Grey
- BE Basalt Beige
- BA Barro
- IC Iron Corten
- IM Iron Moss



! Please note that all colors except EF + RO has a unique direction of the decor.

- SWE snow-white
- WE white
- SW black
- GR grey
- EB earth
- CA cappuccino
- CH champagne
- MA magnolie
- GRS Grey satinato
- KAS kashmir satinato
- MAS magnolie satinato
- WES white satinato
- SP mirror



! **Color Charts**
Deviations between colours and the fronts are unavoidable.