

Ceramo - unilaterally holohedral ceramic plate

A 3 mm thick ceramic plate is holohedral affixed with a 16 mm thick supporter. The acrylic edges on the supporter have a similar colour like the ceramic. The ceramic is greater affixed and will looped back after the installation. The edges are brushed up. It becomes an edge with a very loq join between the ceramic plate and supporting plate.

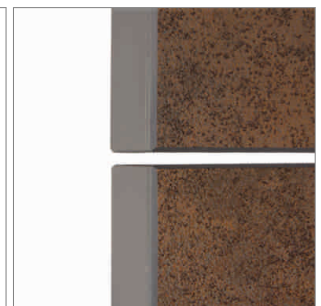
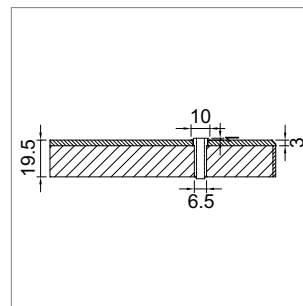
- thickness approx. 19.5 mm
- supporting plate 16.5 mm
- ceramic plate 3 mm
- 9 colors
- weight aprox. 19.5 kg/m²
- front with affixed ceramic plate
- back-side white
- handle drillings have to be made at the factory (use our order form)
- handle drillings have included some plastic sleeves for the handle installation
- handle drillings in the ceramic plate with an aperture of 9 mm
- back-side is undrilled
- lead time: approx. 7 weeks



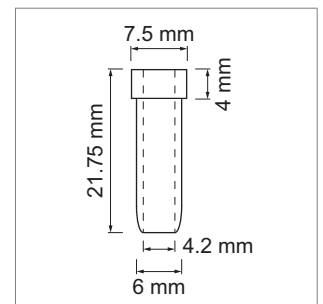
model	finish	edges	E
57.15500.00	Ceramo	unilaterally with ceramic	acryl white

i Mesures min./max.:

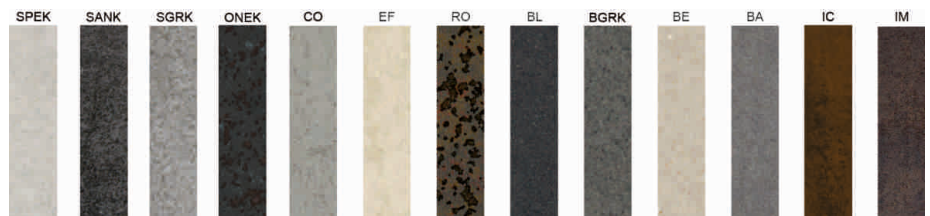
- short side min.: 780 mm
- short side max.: 40 mm
- long side min.: 2700 mm
- long side max.: 201 mm
- Please note, that all colors exsept EF + RO has a unique direction of the decor. Maximum width: 1000 mm

**! Remark**

- Spacial shapes: There are no special shapes and cut-outs. Only rectangular parts.
- Note the drill diameter for the fixation of the handle.
- Regarding Front dimensions over 1300 mm our supplier is recommending an alignment hardware for each part.
- Countertops: The surface structure of Ceramo may be different from the contertops of the market.



- SPEK Savoia Perla/PXP52
- SANK Antracite/PXP52
- SGRK Savoia Grigia/PXP52
- ONEK Oxide Nero/PXP52
- CO Concret
- EF Oxide Avorio ivory
- RO Oxide Moro red
- BL Basalt Black
- BGRK Basalt Grey
- BE Basalt Beige
- BA Barro
- IC Iron Corten
- IM Iron Moss

**i Note for order per fax:**

You find decor end panels on page B-1.09, samples on page B-1.24. For fax orders and enquiries: order form on page B-1.80.

! Color Charts