

Spezial fronts - Verro, glass front

Verro - unilaterally holohedral affixed glass

A 3 mm thick float glass is holohedral affixed with a 16 mm thick supporter. The acrylic edges on the substrate have the same colour like the glass. The glass is greater affixed and will looped back after the installation. The edges are brushed up. It becomes an edge with a very loq join between the glass and supporting plate.

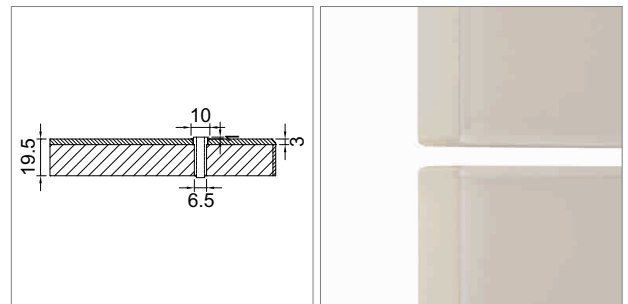
- thickness approx. 19.5 mm
- supporting plate 16.5 mm
- Glass-Type: extra white 3 mm
- 8 high-gloss colors, 4 color satinato, 1 mirror
- weight aprox. 19.5 kg/m²
- front with affixed glass
- back-side standard white, if desired also in black laminated
- handle drillings have to be made at the factory (use our order form)
- handle drillings have included some plastic sleeves for the handle installation
- handle drillings in the glass with an aperture of 9 mm
- back-side is undrilled
- lead time: approx. 7 weeks



	model	finish	E
57.15400.00	Verro	unilaterally with glass glossy	white
57.25400.00	Verro	unilaterally with glass satinato	white

i Mesures min./max.:

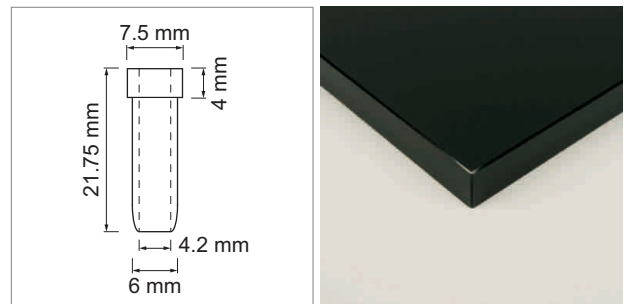
- short side max.: 780 mm
- short side min.: 45 mm
- long side max.: 2380 mm
- long side min.: 200 mm

**M Remark**

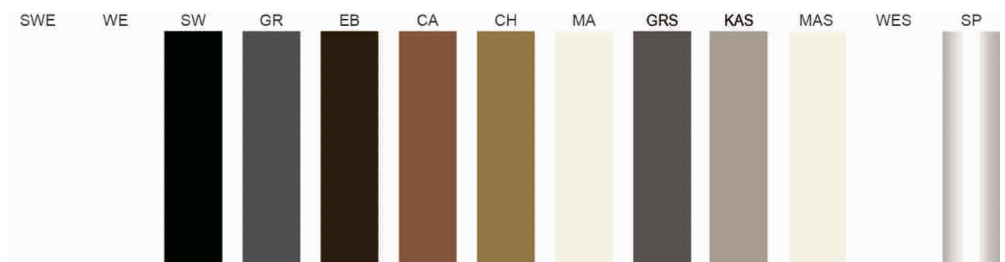
- Note the drill diameter for the fixation of the handle.
- Regarding front dimensions over 1300 mm our supplier is recommending an alignment hardware for each part.

! Special shapes

There are no special shapes and cut-outs. Only rectangular parts.



- SWE snow-white
- WE white
- SW black
- GR grey
- EB earth
- CA cappuccino
- CH champagne
- MA magnolie
- GRS Grey satinato
- KAS kashmir satinato
- MAS magnolie satinato
- WES white satinato
- SP mirror

**i Note for order per fax:**

You find decor end panels on page B-1.09, samples on page B-1.24. For fax orders and enquiries: order form on page B-1.80.

! Color Charts

Deviations between colours and the fronts are unavoidable.